

LAYHER EVENT SYSTEMS CATALOGUE 2024/2025



Edition 04.2024
Ref. No. 8111.236

Quality management
certified according
to DIN EN ISO 9001

Energy management
certified according to
DIN EN ISO 50001

Environmental
management certified
according to
DIN EN ISO 14001



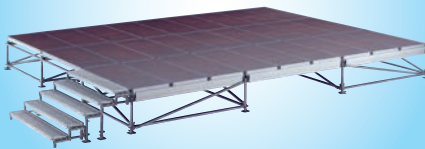


COMPANY FROM PAGE 4



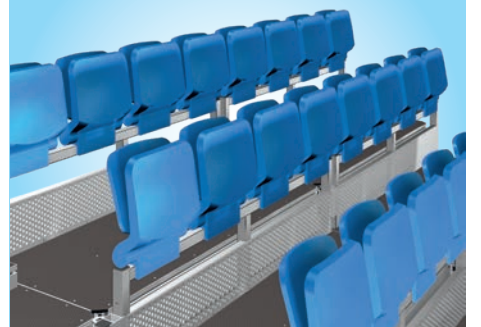
Quality Made by Layher	4
More Speed	5
More Safety	5
More Proximity	5
More Simplicity	5
More Future	5
Software for scaffolding construction	6
Inspection books	7

PODIUMS FROM PAGE 8



Decision-making aids	8
Allround Scaffolding	12
Basic components	14
Guardrails and stairways	16
Universal Base	18

STANDS FROM PAGE 20



Stand components	22
Stand seats	24
Stand roof	26



PRODUCT-PORTFOLIO



The Layher Product Range –
all catalogues at a glance

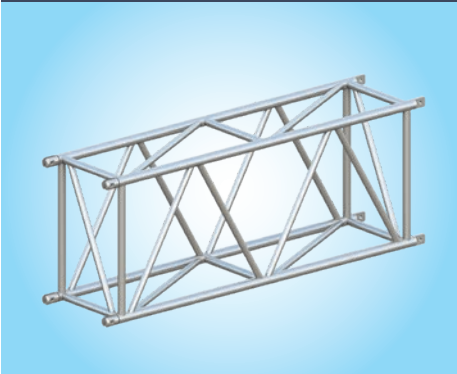
SpeedyScaf	Ref. No. 8102.265
Allround Scaffolding	Ref. No. 8116.261
System-free Accessories	Ref. No. 8103.282
Protective Systems	Ref. No. 8121.263
Event Systems	Ref. No. 8111.236
Access Technology	Ref. No. 8118.236

TOWERS AND WALLS FROM PAGE 30



FOH System	32
Roof and wall cladding	34
Video wall system	36
PA Tower PLUS	38

STEEL TRUSS FROM PAGE 39



Steel Truss System	40
--------------------	----

NOTICE

Subject to technical modification. Component weights are subject to fluctuations due to tolerances and may therefore diverge from what is specified.

Steel components are hot-dip galvanized according to EN ISO 1461 and DAST guideline 022. Connection parts or other small pieces can be galvanized according to EN ISO 4042.

Our deliveries shall be made exclusively in accordance with our at the conclusion of contract valid General Terms of Sale. These include the following provisions: The place of performance is Gueglingen-Eibensbach. Title to the delivered goods shall be retained until full payment has been made. The fully GTC you can find here: gtc.layher.com

Please request the specific instructions for assembly and use when ordering. Protected by copyright. Not to be reproduced, either in whole or in part. Misprints and errors excepted.

QUALITY MADE BY LAYHER



Headquarters in Eibensbach



Plant 2 in Gueglingen



Plant 3 in Cleebrohn

QUALITY MADE IN GERMANY.

Quality made by Layher comes from Gueglingen-Eibensbach. Our company has set down deep local roots since it was established. Right up until today, development, production and management, sales and export department are all in one place, where the conditions are best for achieving quality made by Layher: in Gueglingen-Eibensbach. The three locations together cover a surface area of 428,000 m². This includes more than 228,000 m² of covered production and storage areas.

MORE POSSIBILITIES. THE SCAFFOLDING SYSTEM.

This brand promise made by Layher is the expression of a brand philosophy that we've been living by for over 75 years. More speed, more safety, more proximity, more simplicity and more future: values with which we strengthen our customers' competitiveness in the long term. With our innovative systems and solutions, we're working all the time on making scaffolding construction even simpler, even more economical and, above all, even safer.

SUSTAINABILITY AT LAYHER.

We've long been acting with a clear focus, with a view to both economic and ecological sustainability in all our process steps. Social responsibility towards employees, clients and society as a whole are at the very centre of this. We're a dependable employer, active in protecting our resources. The sparing use of work materials as a feature of our sustainable approach is fundamental to how we see ourselves: we already take care to ensure sustainable building methods when planning a new production facility, for example by greening the roofs or using photovoltaic systems. We also value locations that are close by, avoiding unnecessary CO₂ emissions due to long traffic routes. The topic of sustainability is firmly embedded in Layher's organisational structure thanks to its energy management team. Their work has paid off in particular in the form of DIN EN ISO 50001 certification.



Discover the world of Layher
in its company film at:
yt-image-en.layher.com





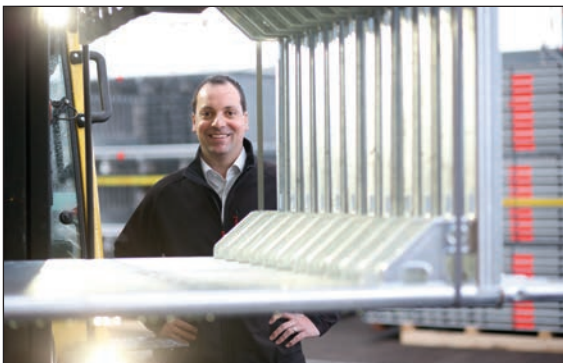
MORE SPEED

High level of material availability, effective delivery service and quick assembly and dismantling of the scaffolding systems thanks to 100% fitting accuracy.



MORE SAFETY

Outstanding quality and precision coupled with a long service life – confirmed internationally through independent certifications, inspections and approvals. Continuity and long-term partnership.



MORE PROXIMITY

Comprehensive personal consultation and close-knit delivery network. Global presence through our own subsidiaries. Family-owned company that works closely with its customers.



MORE SIMPLICITY

Economical scaffolding systems that have been proven in practice, available with an extensive product range. Cross-system combinations for versatile use. Rapid decision making thanks to efficient structures and processes.



MORE FUTURE

Thanks to permanent product innovations and the improvement of existing parts. By opening up new areas of business. With an integrated system to ensure high profitability and retention of investment value. Through an extensive range of training opportunities and seminars to ensure that customers are always right up-to-date with the latest technical and commercial developments.

Layher Lightweight: Through the use of high-tensile steel, a new production process, and an improved design, we have succeeded in minimising the weight of the core components of our systems – while maintaining or raising load-bearing capacity.



Layher LayPLAN

Time and material are crucial factors in scaffolding construction. To make the most efficient use of both, the Layher range includes the practical LayPLAN scaffolding planning software.

LayPLAN CAD

For more complex structures, LayPLAN CAD is available. This is a plug-in for Autodesk AutoCAD. It enables 3-dimensional planning of scaffolding structures of all types.

A visual collision check is possible with the aid of volume rendering. By using a convenient search function with preview image, scaffolding planners will find not only an extensive library of individual Layher parts, but also assemblies already prefabricated for even faster design work. The detailed drawings can then be printed out. A transfer to visualisation or animation software is also possible without any problem. This allows projects not only to be planned economically and at the same time adapted precisely to actual requirements, but also to be presented professionally to customers.

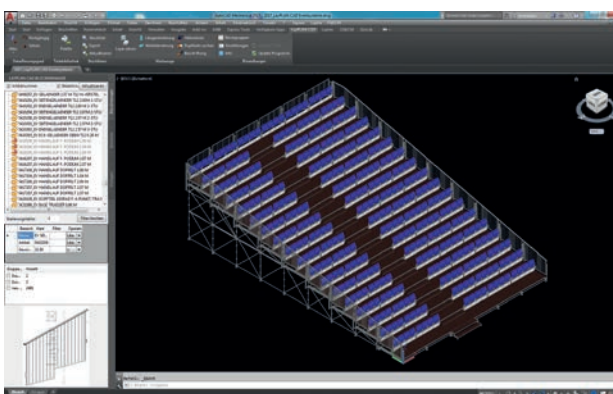
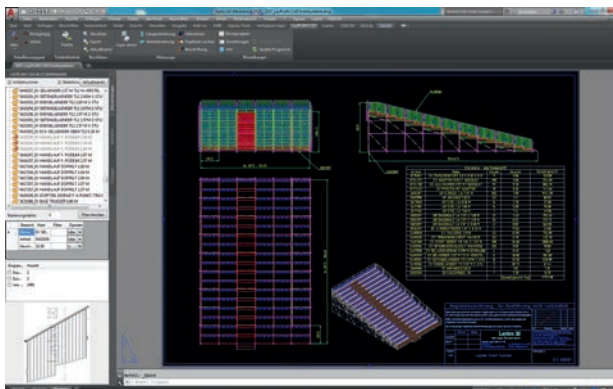
After finalisation of the scaffolding proposal, the LayPLAN Material Manager provides you with complete lists of required parts to ensure you always have precisely the material you need at the site.

How can I buy LayPLAN?

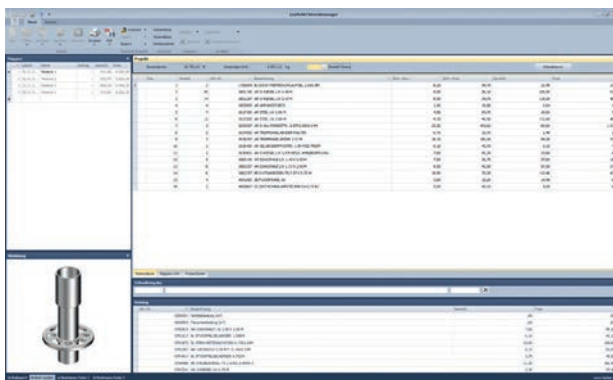
Registration and all the ordering processes can be conveniently accessed at the Layher website:

<http://software.layher.com>

A contact form gives you the data to access our software portal, where you can download a 30-day test version and also find the order form for the full version.



Planning of a grandstand in LayPLAN CAD



Component images LayPLAN Material Manager
Part of LayPLAN CLASSIC and LayPLAN CAD

Pos.	Description	Ref. No.
1	LayPLAN CAD plug-in for AutoCAD, for designing complex scaffolding in 3D and for developing scaffolding proposals from LayPLAN CLASSIC	6345.103

Events held outdoors frequently require the building of structures (structural systems) such as stages, stands, FOH Towers, video wall systems or PA Towers. If these structural systems are both suitable and intended for repeated assembly and dismantling at different locations, they are deemed to be Temporary Structures. Temporary Structures require Model Approval before they are erected and put into service for the first time.

The static calculation books contains:

- ▶ Detailed plans of the entire structure
- ▶ Detailed part drawings
- ▶ Appropriate excerpts from approvals, where these are referred to in the structural strength analysis
- ▶ Complete and verifiable structural strength analysis according to valid laws, provisions and standards
- ▶ Certificates
- ▶ Test Report

Our customers can obtain from Layher inspection books for modular and standardised structures. Accordingly, the assembly variants can be clearly defined, and the typical variants can be verified in structural strength calculations.



Pos.	Description
1	Static calculation book for FOH Tower for EV 100 and EV 104
2	Static calculation book for video wall system for EV 100 and EV 104
3	Static calculation book for PA Tower PLUS for EV 100 and EV 104

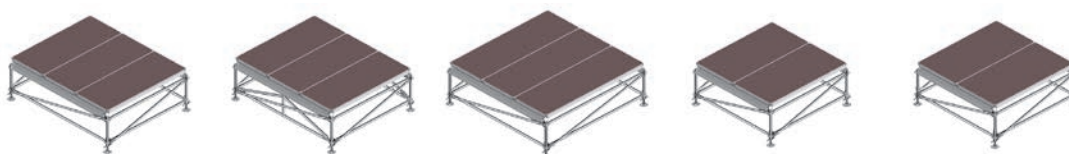
LAYHER PODIUMS AND STAND SYSTEMS

DECISION-MAKING AIDS



LAYHER PODIUMS

Layher podiums are just as suitable for use inside halls and marquees as use outdoors. The components make up a construction kit allowing the building of a small podium for fashion shows, for a music performance or for a giant concert stage. The parts are weatherproof, thanks to the use of aluminium, hot-dip galvanized steel and coated plywood panels. On uneven surfaces, fast and easy adaptability of the Allround podiums to the lie of the land is a particular

advantage. The permissible loading capacity of the podium surface is up to 7.5 kN/m². The height can, depending on the structural strength, be up to 10 m. Meeting of the guidelines for temporary structures with the design loads as per EN 13814 is verified by inspection books issued by the competent authority.



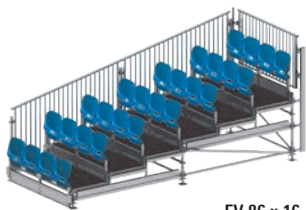
Module	EV 86	EV 86+	EV 86Q	EV 100 Metric*	EV 104
Bay	2.07 x 2.57 m	2.07 x 2.57 m	2.57 x 2.57 m	2.00 x 2.00 m	2.07 x 2.07 m
Deck type	Event deck	Event deck	Event deck	Event deck	Event deck
Deck size	0.86 x 2.07 m	0.86 x 2.07 m	0.86 x 2.57 m	1.00 x 2.00 m	1.04 x 2.07 m
Decks per bay	3	3	3	2	2
Support element	Event transom	Event transom	Event transom	Event transom	Event transom
Support element length	2.57 m	2.57 m	2.57 m	2.00 m	2.07 m
Crosspiece support	–	required	–	–	–
Perm. load capacity	5.0 kN/m ²	7.5 kN/m ²	5.0 kN/m ²	7.5 kN/m ²	7.5 kN/m ²

 * Further metric components, see catalogue Allround Scaffolding. 

LAYHER STANDS

The most important characteristics of Layher seating stands are: sturdy material, sound workmanship, long service life, rapid assembly at changing locations, and low transport volume. The individual parts are easy to assemble and lightweight, so that they can be installed manually. Please refer to our

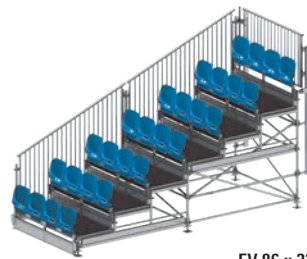
tables in this connection. Thanks to the modular design, it is possible to adapt the stand to the local conditions and to plan it in accordance with local regulations.



EV 86 x 16



EV 86 x 25



EV 86 x 33



EV 100 x 25, Metric*
EV 104 x 25

Seating stand	EV 86 x 16	EV 86 x 25	EV 86 x 33	EV 100 x 25 Metric*	EV 104 x 25
Step width	0.857 m	0.857 m	0.857 m	1.00 m	1.036 m
Step height	0.166 m	0.25 m	0.333 m	0.25 m	0.25 m
Riser angle	11.1°	16.3°	21.2°	14.0°	13.6°
Riser angle	19.4%	29.2%	38.9%	25.0%	24.1%
Standard dimension	2.57 x 2.07 m	2.57 x 2.07 m	2.57 x 2.07 m	2.00 x 2.00 m	2.07 x 2.07 m
Loose seating	possible	possible	possible	recommended	recommended
Permanently fitted benches	recommended	recommended	recommended	possible	possible

More variants upon request.

LAYHER EVENT STAGES AND PODIUMS

LAYHER STAGES AND PODIUMS – EASIER, QUICKER AND SAFER BY USING THE MODULAR LAYHER SYSTEM



No compromising on site, fulfils requirements in terms of dimension and equipment: Layher Event Stages and Podiums.

Layher podiums and stages provide a safe play performance area that's exactly what's needed. Series manufacture and high delivery readiness are our way to help you cut costs and achieve economic success; and tailor-made special solutions whenever necessary are our strengths.

THE BENEFITS FOR YOU:

- ▶ **Basic unit**
Can be expanded with a choice of layouts, standard dimensions and performing levels.
- ▶ **Expandable**
Caters for requirements with a variety of roof and support systems.
- ▶ **Allround base**
High load-bearing capacity, rapid assembly and dismantling.
- ▶ **Practically-minded design**
Strong connector technology, ergonomic handling, low-wear aluminium parts, corrosion-proof thanks to hot-dip galvanisation, space-saving storage.



Allround Scaffolding

Parts from the Layher Allround Scaffolding construction kit are used as the substructure for podiums.

The **diagonal braces LW 1–4** with rotatable wedge heads further brace the basic system consisting of standards and ledgers, providing convincingly high connection values.

The **O-ledgers LW horizontal-diagonal 5** can be used as an assembly aid to ensure rectangularity in the ground plan. Many structures exploit the bracing effect of the horizontal-diagonal braces.

The O-ledgers horizontal-diagonal have:

- ▶ straight-welded wedge heads for a square ground plan
- ▶ obliquely welded wedge heads for a rectangular ground plan

The **O-ledgers LW 6** with welded wedge heads connect the standards to one another.

The **standards LW 10** are made from hot-dip-galvanized steel tube $d=48.3$ mm. The rosettes spaced 0.50 m apart permit the connection of **ledgers 6** and **diagonal braces 1–4**.

To connect the individual standards, **spigots 7** are used. The latter are fastened in the lower standard using **special bolts M12 x 60** with nut **9**. The upper standard is pinned using **hinged pins 8**. Alternatively, also using **special bolts 9**.

The **standard LW 0.67 m 10** and the **standard LW 1.16 m** can be used alternatively for stages with heights of 0.90 m and 1.40 m respectively, enabling the base collar to be omitted. Assembly proceeds faster, and ballast can be placed at the bottom scaffolding level. The standard 1.16 m can be extended using **spigots 7**.

The **standard lock 0.50 m 11** can create a pull-resistant connection between the base collar and the standard. It is needed if the ballast has to be placed at the lowest scaffolding level.





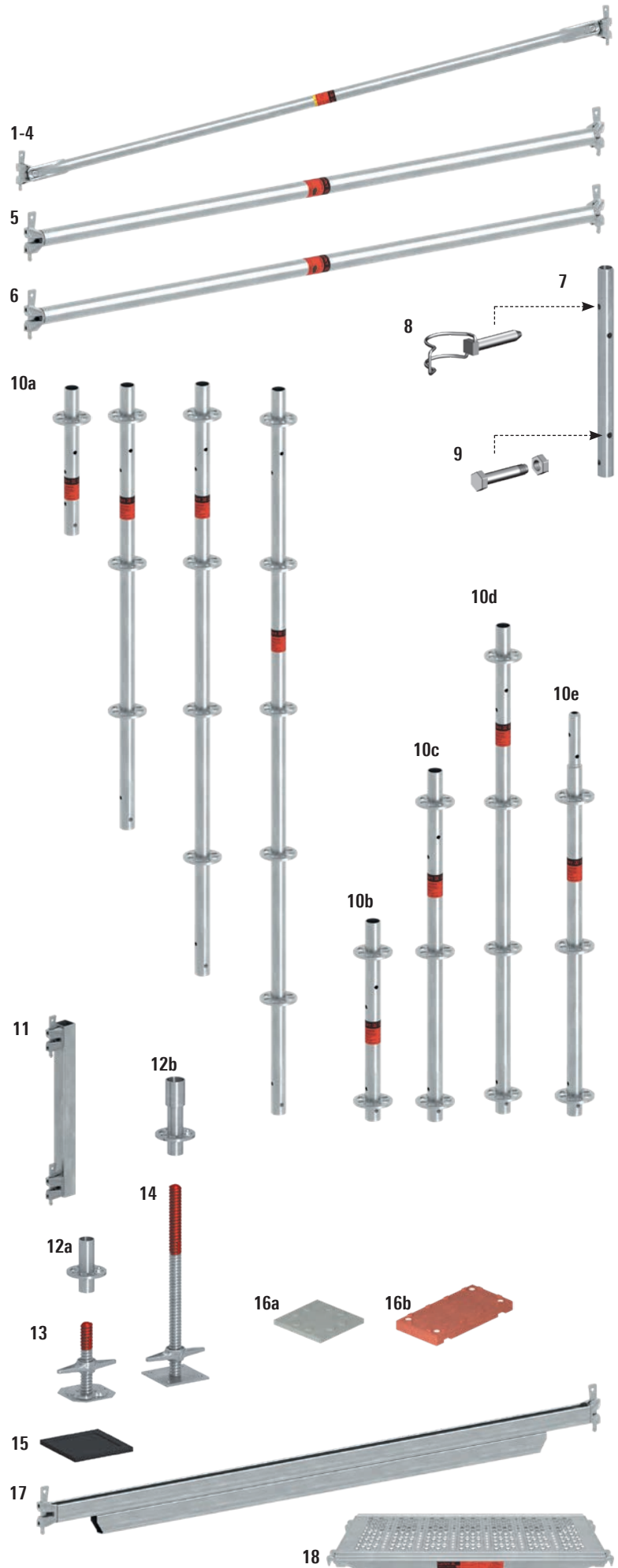
The lowest possible podium height is about 0.35 m, for which **base plates 20 13** and **base collars short 12a** are used.

For greater heights, **base plates 60 solid 14**, **base collars 12b** and **standards without spigots 10**, in the appropriate length are used.

The **rubber pad 15** minimises slippage of the structure and helps to protect sensitive indoor floors. Inserted between the load-distributing support and the base plate, it can help in many cases to reduce the amount of ballast.



Further components and more detailed information can be found in the Allround Scaffolding price list.

Pos.	Description	LC	WS [mm]	Dimension L / H x W [m]	Weight approx. [kg]	PU [pc.]	Ref. No.
1	Diagonal brace LW, steel, 2.00 m bay height						
	1.00 m bay length			2.22	7.3	50	2683.100
	1.04 m bay length			2.23	7.6	50	2683.104
	2.00 m bay length			2.76	9.1	50	2683.200
	2.07 m bay length			2.81	9.2	50	2683.207
	2.57 m bay length			3.18	10.0	50	2683.257
2	Diagonal brace LW, steel, 1.50 m bay height						
	1.00 m bay length			1.77	6.2	50	2682.100
	1.04 m bay length			1.79	6.2	50	2682.104
	2.00 m bay length			2.42	8.0	50	2682.200
	2.07 m bay length			2.48	8.2	50	2682.207
	2.57 m bay length			2.89	9.5	50	2682.257
3	Diagonal brace LW, steel, 1.00 m bay height						
	1.00 m bay length			1.36	5.0	50	2681.100
	1.04 m bay length			1.39	5.1	50	2681.104
	2.00 m bay length			2.14	7.2	50	2681.200
	2.07 m bay length			2.20	7.4	50	2681.207
	2.57 m bay length			2.66	8.6	50	2681.257
4	Diagonal brace LW, steel, 0.50 m bay height						
	1.00 m bay length			1.03	4.3	50	2680.100
	1.04 m bay length			1.08	4.2	50	2680.104
	2.00 m bay length			1.96	6.7	50	2680.200
	2.07 m bay length			2.03	6.9	50	2680.207
	2.57 m bay length			2.51	8.2	50	2680.257
5	O-ledger LW, horizontal-diagonal. steel						
	for 2.00 m bay length, 1.00 m bay width, left			2.23	7.8	50	2678.201
	for 2.00 m bay length, 2.00 m bay width			2.83	9.6	50	2678.200
	for 2.07 m bay length, 1.04 m bay width, left			2.32	8.1	50	2678.206
	for 2.07 m bay length, 2.07 m bay width			2.93	10.0	50	2678.207
	for 2.57 m bay length, 2.07 m bay width			3.30	11.2	50	2678.255
6	O-ledger LW						
	steel, with AutoLock function			0.86	3.3	50	2601.086
				1.04	3.8	50	2601.103
				1.72	5.9	50	2601.172
				2.07	7.0	50	2601.207
				2.57	8.5	50	2601.257
6	steel, metric, with AutoLock function			1.00	3.7	50	2601.100
				2.00	6.8	50	2601.200
				0.52	1.6	350	2605.000
					1.6	20	4905.668
			19		4.0	50	4905.062
10	Standard LW						
	a steel without spigot, for scaffolding layer			0.50	2.2	300	2619.050
				1.00	4.4	28	2619.100
				1.50	6.6	28	2619.150
				2.00	8.8	28	2619.200
				2.50	11.0	28	2619.250
				3.00	13.2	28	2619.300
	b steel, 0.67 m, with 2 rosettes, without spigot, with integrated base collar			0.66	3.3	200	2619.066
	c steel, 1.16 m, with 3 rosettes, without spigot, with integrated base collar			1.16	5.5	28	2619.116
	d steel, 1.66 m, with 4 rosettes, without spigot, with integrated base collar	IND		1.66	7.7	28	2619.166
e steel, with integrated spigot with cross hole, for use in stand and suspended scaffolding			1.16	5.7	28	2617.116	
11	Standard lock 0.50 m			0.58	4.0	100	2603.000
12	Base collar						
	a short			0.17	1.1	250	5601.000
	b			0.24	1.4	500	2602.000
13	Base plate			0.20	2.3	200	5602.020
14	Base plate 60 solid, without lock (max. spindle travel 41 cm)			0.58	6.7	200	5602.060
15	Rubber pad for base plate			0.20 x 0.20	0.4	10	4000.500
16	Plastic underlay for base plate						
	a grey, with burls for easy stacking	IND		0.26 x 0.26 x 0.02	1.5	400	4000.700
	b brown, to distribute loads, with burls for easy stacking	IND		0.40 x 0.20 x 0.04	4.2	250	4000.701
17	U-ledger reinforced LW T14						
	steel, metric			2.00	12.5	50	2618.200
	steel			2.07	12.7	50	2618.207
18	U-steel deck LW, 0.32 m wide	IND	6	1.00 x 0.32	7.2	60	3883.100
	steel, hot-dip galvanised, perforated, non-slip working surface	IND	6	1.04 x 0.32	7.4	60	3883.104
		IND	6	2.00 x 0.32	12.9	60	3883.200
		IND	6	2.07 x 0.32	13.4	60	3883.207

WS = wrench size LC = load class PU = packaging unit 🏠 = available ex works 🕒 = delivery time on request 📦 = only available in this packaging unit ⚙️ = the approval process is not yet completed

IND = Layher Individual possible 🆕 = new in the catalogue

Podiums – Basic components

The plywood board of the **Event decks T16 1** is riveted onto an aluminium frame and is also supported by cross rungs. All four sides of the Event decks can be fitted into the Event crosspiece. The removable plastic corners allow the vertical tubes to be passed through.

The **X-Event decks T16 2** have plywood boards with rectangular corners. The detachable plastic corners are not removable. Guardrails can be mounted by using posts Ref. No. 5406.000 to the podium.

The Event decks with lengths of up to 2.07 m are rated for a load of 7.5 kN/m². The Event deck 2.57 m can withstand 5.0 kN/m².

The 18 cm high **Event transom 3** made of aluminium section with wedge head connection of galvanized steel is used as a support for the Event decks.

The loading capacity of the 2.57 m long Event crosspiece can be increased from 5.0 kN/m² to 7.5 kN/m² by fitting the **transom support 4**.

The **Tension clasp 5** of spring steel connects the Event deck to the Event transom and acts as a lock against lift-off.

A fully closed podium surface is assured by a shift preventer at the edge of the podium assembled using **square half coupler 6**.

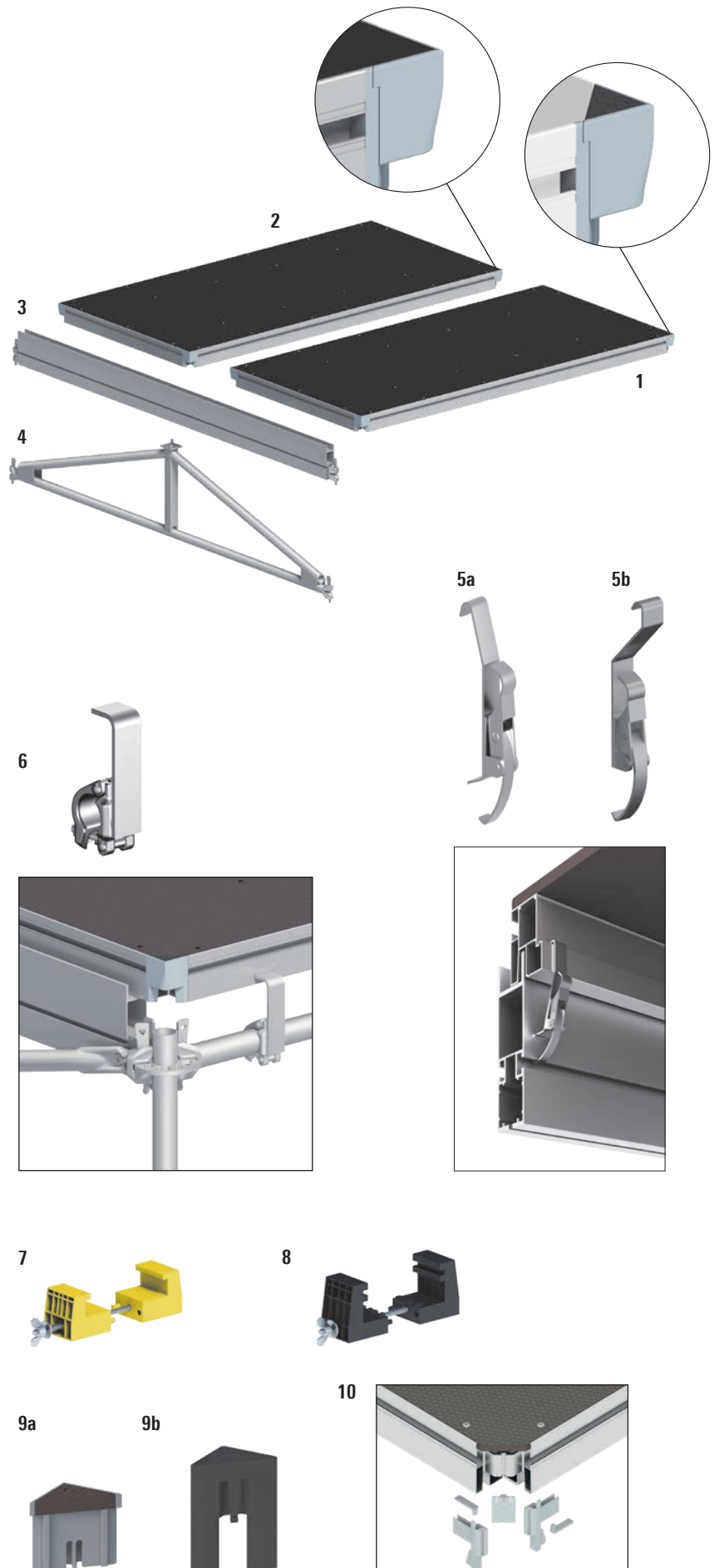
Optionally, the Event decks can be connected to one another using the **clamp 7/8** made of plastic.

The Event decks are supplied with plastic corners fitted. The matching **plastic corners 9** are available in packaging units of 50 as spare parts.


The design variant of the existing Event decks should be taken into account when ordering toggle latches, clamps and plastic corners.

- ▶ Year built after 2016: Event deck T16
- ▶ Year built 2007–2016: Event deck T10 and T7
- ▶ Year built 2004–2007: Event deck T4
- ▶ Year built 2001–2004: Event deck T1

If a plastic corner of the event floor T16 is damaged, **repair kit 10** is used. The repair kit comes with detailed assembly instructions.



For the basic variants of the podiums, an inspection book can be ordered. See page 7.

Pos.	Description	Dimension L / H x W [m]	Weight approx. [kg]	PU [pc.]	Ref. No.	EV86	EV86Q	EV100	EV104
1	Event deck T16								
	aluminium frame, coated plywood, detachable plastic corners, for EV 86	0.86 x 1.04	16.9	10	5402.201	🕒 ▶			
		0.86 x 1.57	23.5	10	5402.203	🕒 ▶			
		0.86 x 2.07	30.2	10	5402.202	📦 ▶			
	aluminium frame, coated plywood, detachable plastic corners, for EV 86Q	0.86 x 2.57	36.7	10	5402.204	📦 ▶			
	aluminium frame, coated plywood, detachable plastic corners, for EV 100	1.00 x 1.00	18.3	10	5402.205	🕒 ▶			
		1.00 x 2.00	32.5	10	5402.206	📦 ▶			
	aluminium frame, coated plywood, detachable plastic corners, for EV 104	1.04 x 1.04	19.3	10	5402.208	🕒 ▶			
	1.04 x 2.07	34.3	10	5402.209	📦 ▶				
2	X-Event deck T16								
	aluminium frame, coated plywood, not detachable plastic corners, for EV 86	0.86 x 1.04	16.9	10	5402.211	🕒 ▶			
		0.86 x 2.07	30.2	10	5402.212	🕒 ▶			
	aluminium frame, coated plywood, not detachable plastic corners, for EV 86Q	0.86 x 2.57	36.7	10	5402.214	🕒 ▶			
	aluminium frame, coated plywood, not detachable plastic corners, for EV 100	1.00 x 1.00	18.3	10	5402.215	🕒 ▶			
		1.00 x 2.00	32.5	10	5402.216	🕒 ▶			
	aluminium frame, coated plywood, not detachable plastic corners, for EV 104	1.04 x 1.04	19.3	10	5402.218	🕒 ▶			
		1.04 x 2.07	34.3	10	5402.219	🕒 ▶			
3	Event transom								
	for EV 86	0.86	6.1	60	5400.072	📦 ▶			
		1.71	10.0	60	5400.071	📦 ▶			
	for EV 100	1.00	6.4	60	5400.010	📦 ▶			
		2.00	11.4	60	5400.040	📦 ▶			
	for EV 104	1.04	6.6	60	5400.020	📦 ▶			
		2.07	12.0	60	5400.050	📦 ▶			
	for EV 86 and EV 86Q	2.57	14.6	60	5400.070	📦 ▶ ▶			
4	Transom support increases permissible load on the EV 86+ system	2.57 x 0.50	21.2	40	5400.100	📦 ▶			
5	Tension clasp								
	a for Event deck T16	0.16	2.5	50	5403.521	📦 ▶ ▶ ▶ ▶ ▶			
	b for Event deck T10, T7, T4 und T1	0.16	2.6	50	5403.515	📦 ▶ ▶ ▶ ▶ ▶			
6	Square half-coupler		1.4	25	5403.510	📦 ▶ ▶ ▶ ▶ ▶			
7	Clamp yellow for Event deck T16		0.3	50	5403.518	📦 ▶ ▶ ▶ ▶ ▶			
8	Clamp black for Event deck T10, T7		0.3	40	5403.506	📦 ▶ ▶ ▶ ▶ ▶			
9	Plastic corner								
	a 2-coloured, grey-brown spare part for Event deck T16		3.5	50	5403.523	📦 ▶ ▶ ▶ ▶ ▶			
	b brown spare part for Event deck T10, T7, T4		3.4	50	6494.103	📦 ▶ ▶ ▶ ▶ ▶			
10	Repair kit for Event deck corner 5 parts		2.5	40	6494.105	🕒 ▶ ▶ ▶ ▶ ▶			

Podiums – Guardrails and stairways

Side protection of the stage is provided by **handrails T13 3** or **Guardrails with child protection 4**. The handrail has a height of 1 m above the deck, and the guardrails are 1.10 m high. To absorb the horizontal forces as specified for areas used by the public, **guardrail posts 1** are used.

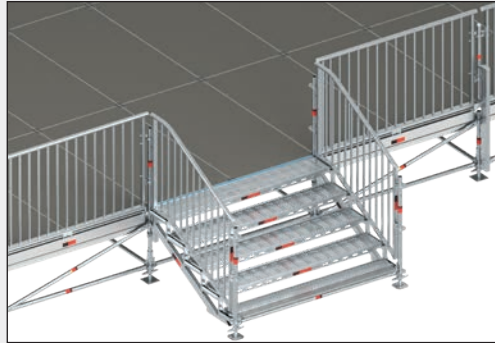
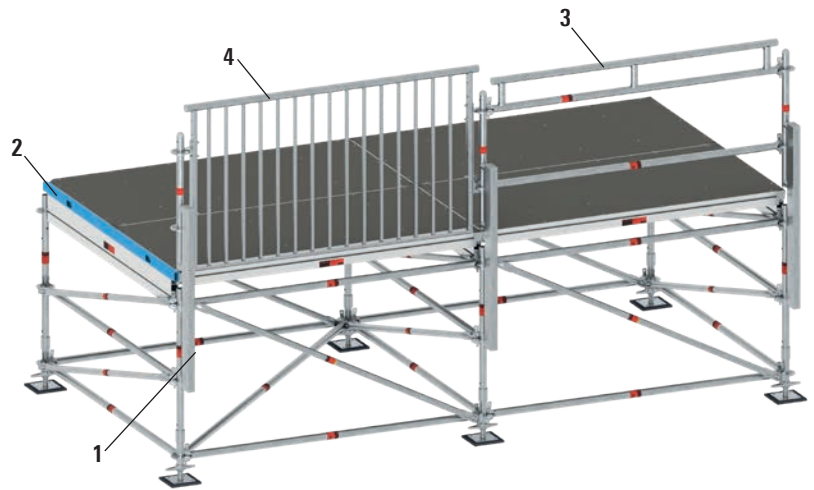
Alternatively, standards going all the way through can be installed in conjunction with additional parts for strengthening.

Variant A:

Round tube with four welded top pieces (Ref. No. 5405.075), see page 22.

Variant B:

Standard 2 m (Ref. No. 2619.200) fastened with four twin wedge head couplers, (Ref. No. 2629.000).



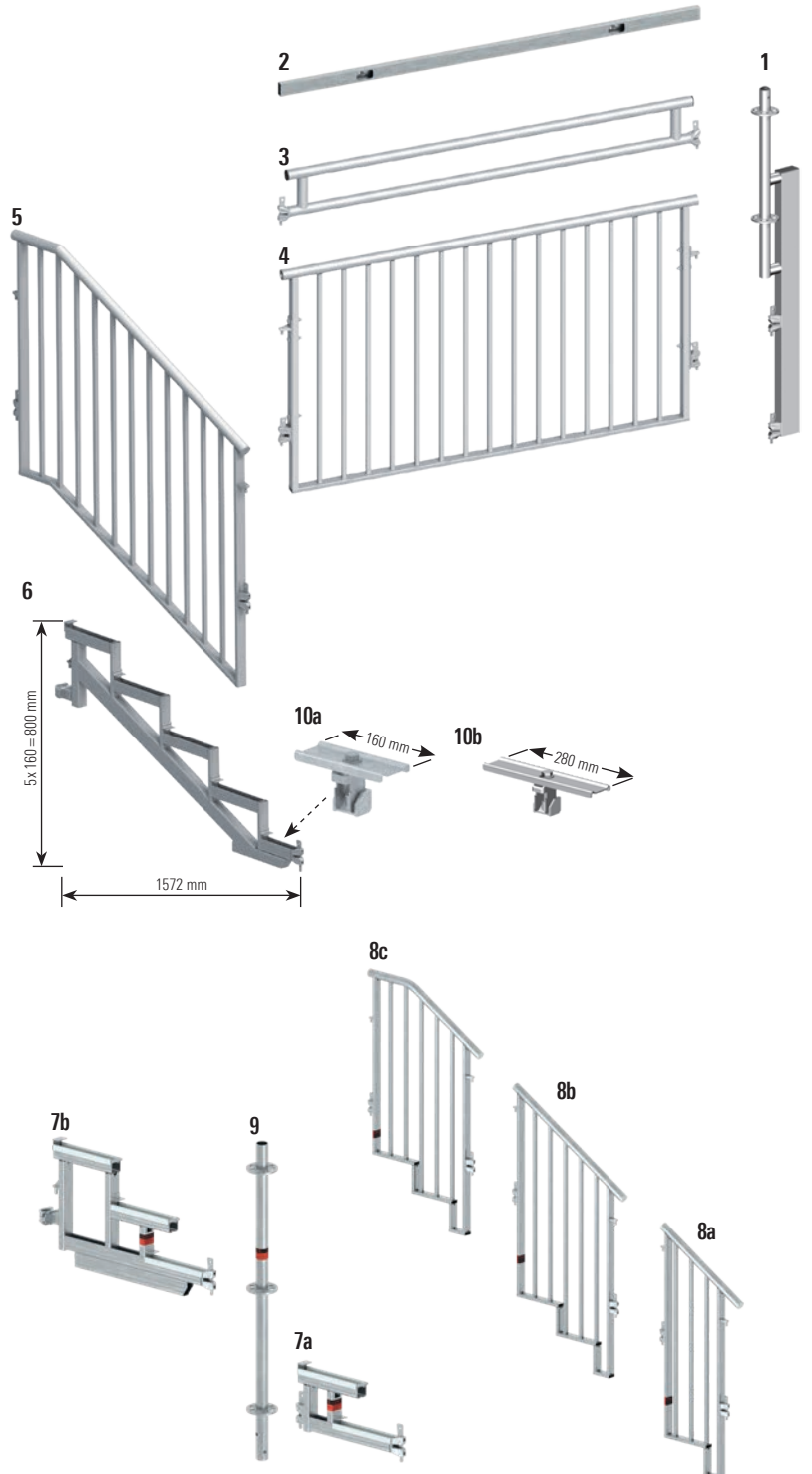
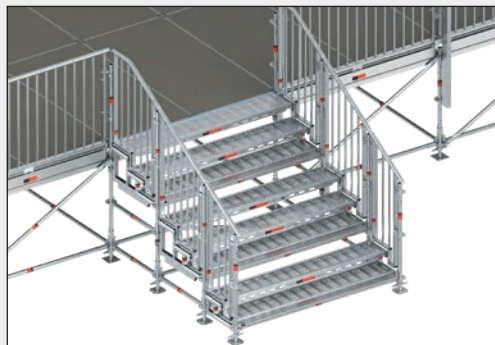
The 5-step **U-stairway stringer 750 6** forms a stair for a podium height of 0.85 m. The top step is flush with the podium surface.

- ▶ Riser $s = 16$ cm
- ▶ Tread $a = 31.8$ cm
- ▶ Undercut $u = 0.2$ cm

Depending on the podium height, the stair can be extended using different stair stringers.

N.B.: When different stair stringers are combined, the tread dimensions are not uniform.

Four steel decks 0.32 m and one steel deck 0.19 m are needed as steps. U-cover ledger (Ref. No. 2675.xxx) is also installed as the lower step edge.



Artist access to the stage can be realised with the Modular stair Plus. The construction kit consists of: **Stringer for Modular stair Plus 7 2-** and **3-step and standard for Modular stair Plus 9**. 0.32 m Robust decks, 0.32 m steel decks or 0.32 m Stalu decks are installed as steps in the selected length.



For further information,
please see catalogue
Allround Scaffolding.



Pos.	Description	WS [mm]	Dimension L / H x W [m]	Weight approx. [kg]	PU [pc.]	Ref. No.	EV86	EV86Q	EV100	EV104
1	Guardrail post for podium		1.64	13.0	20	5406.000				
2	Banding incl. bolts		0.86	2.2	100	5412.086				
			1.00	2.6	100	5412.100				
			1.04	2.7	100	5412.104				
			1.72	4.6	100	5412.172				
			2.00	5.4	100	5412.200				
			2.07	5.6	100	5412.207				
			2.57	6.9	100	5412.257				
3	Double handrail T13									
	handrail height 1.00 m for EV 100		1.00	7.9	20	5417.100				
			2.00	14.0	40	5417.200				
	handrail height 1.00 m for EV 104		1.04	8.1	40	5417.104				
	handrail height 1.00 m for EV 86 and EV 104		2.07	14.4	40	5417.207				
	handrail height 1.00 m for EV 86 and EV 86Q		2.57	18.7	40	5417.257				
4	Guardrail T12 with child protection									
	guardrail height 1.10 m, connection elements height adjustable for use with Event or scaffolding decks, for EV 86 and EV 86Q		0.86	18.5	25	5409.086				
			1.57	25.8	25	5409.157				
			2.57	35.8	25	5409.257				
	guardrail height 1.10 m, connection elements height adjustable for use with Event or scaffolding decks, for EV 100		1.00	19.8	25	5409.100				
			2.00	30.5	25	5409.200				
	guardrail height 1.10 m, connection elements height adjustable for use with Event or scaffolding decks, for EV 104		1.04	20.0	25	5409.104				
	guardrail height 1.10 m, connection elements height adjustable for use with Event or scaffolding decks, for EV 86 and EV 104		2.07	30.8	25	5409.207				
5	Stairway guardrail 750, with child protection for stairway stringer 2639.003		1.57 x 1.10	22.0	25	2616.106				
6	U-Stairway stringer 750 with half-coupler with 5 steps		1.57 x 1.00	18.5	20	2639.003				
7	Stringer for modular stairway Plus									
	a 2-step		0.57	4.7	50	5407.071				
	b 3-step		0.86	10.5	20	5407.072				
8	Guardrail for modular stairway Plus									
	a		0.57	11.1	25	5407.073				
	b		0.86	14.0	25	5407.074				
	c 0.86 m, top		0.86	13.4	25	5407.075				
9	Standard for modular stairway Plus 1.31 m, without spigot		1.31	5.9	28	5407.076				
10	a Universal U-Lift-off preventer		19	0.16	250	2635.002				
			22	0.16	250	2635.003				
	b		19	0.28	250	2635.000				
			22	0.28	250	2635.001				

WS = wrench size LC = load class PU = packaging unit = available ex works = delivery time on request = only available in this packaging unit = the approval process is not yet completed
 = Layher Individual possible = new in the catalogue

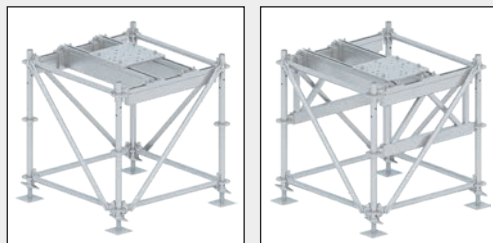
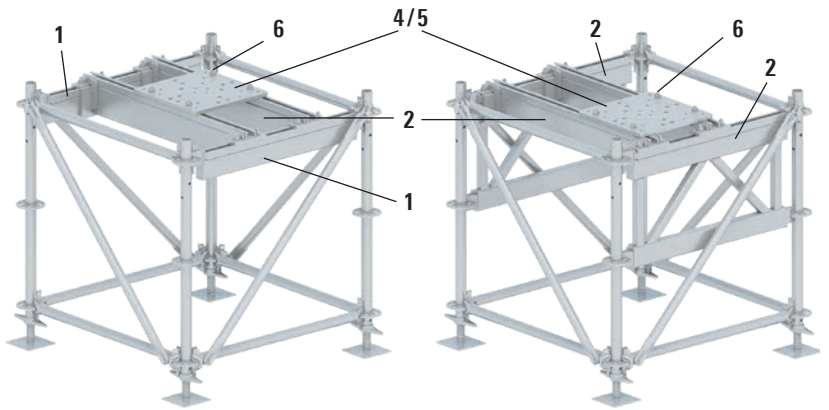
Universal Base

The Universal Base connects your roof structure efficiently to a Layher podium. The position of the roof supports can be set infinitely inside the Universal Base.

The advantages are:

- ▶ The dead weight of the podium can be taken account of in the structural calculation, meaning that less ballast is needed.
- ▶ Forces arising from the rope hoist (wind braces) are absorbed by the podium, meaning that less ballast is needed.
- ▶ Greater headroom at the level of the wind braces due to attachment points being provided at the deck level.
- ▶ Rapid assembly of the podium thanks to the assembly advantages of Layher Allround Scaffolding.

The use of serrated rails in conjunction with serrated bolts permits defined transmission of the horizontal forces. The **base plate 4/5** always rests on two **truss-transoms 3**. The orientation of the transoms has effects to the position of the Event transoms and the outer position of the roof support.

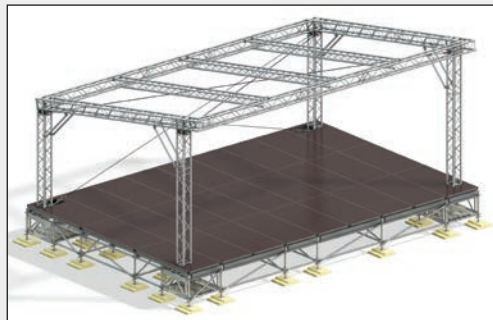


Example A:

Base plate 4 in the middle of the bay, even distribution of the load onto four rosettes, thanks to use of the **base beam 1**.

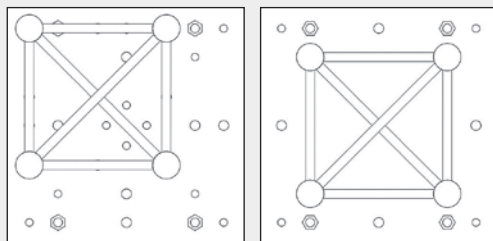
Example B:

Base plate 4 in the corner, distribution of the load onto eight rosettes, thanks to use of the **base beam 2**.



Typical use:

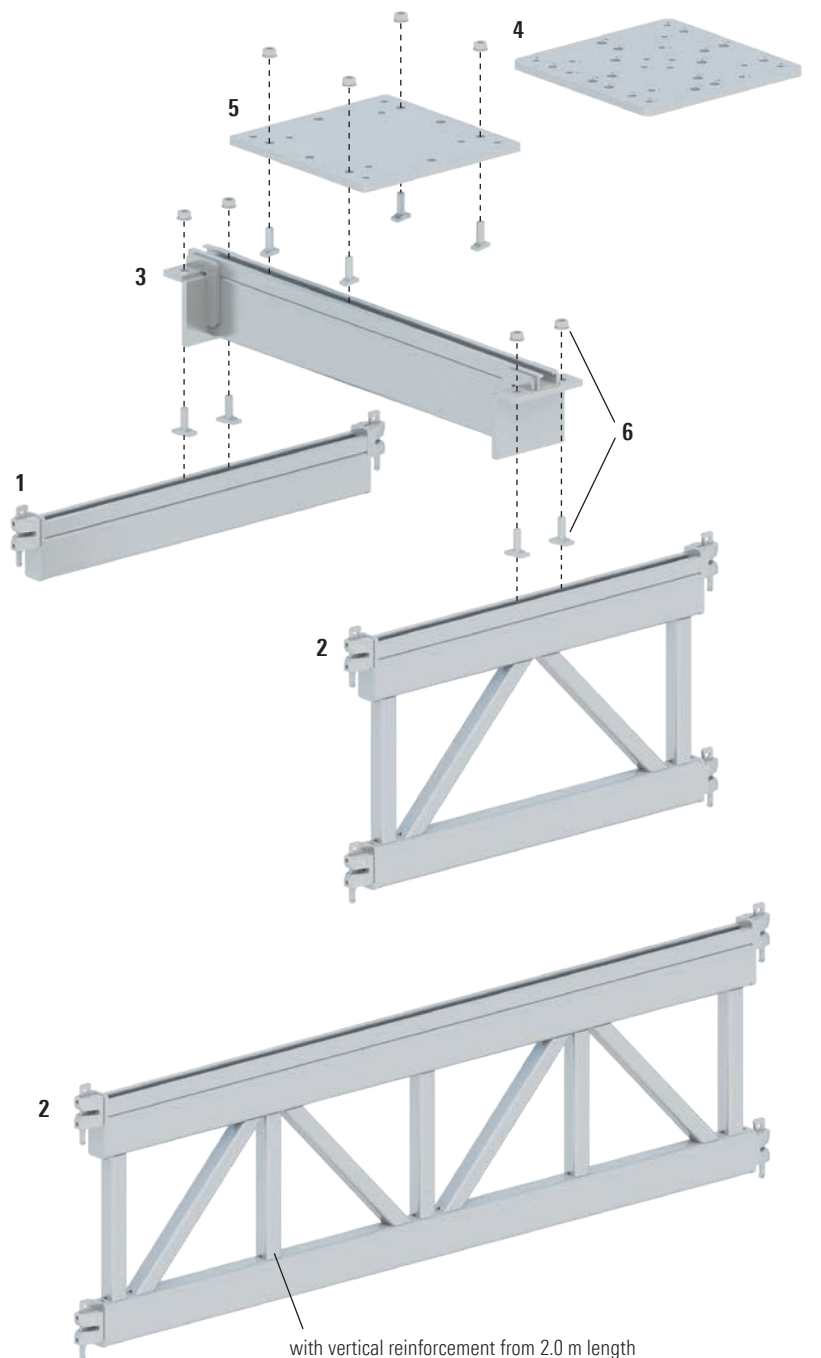
Universal bases in the podium corners are used to receive the roof supports.



Base plate type 1

The plate type 1 with additional drillings allows the asymmetrical positioning of the towers. Additionally there are drillings in the plate centre for an optional support.

Base plate type 2

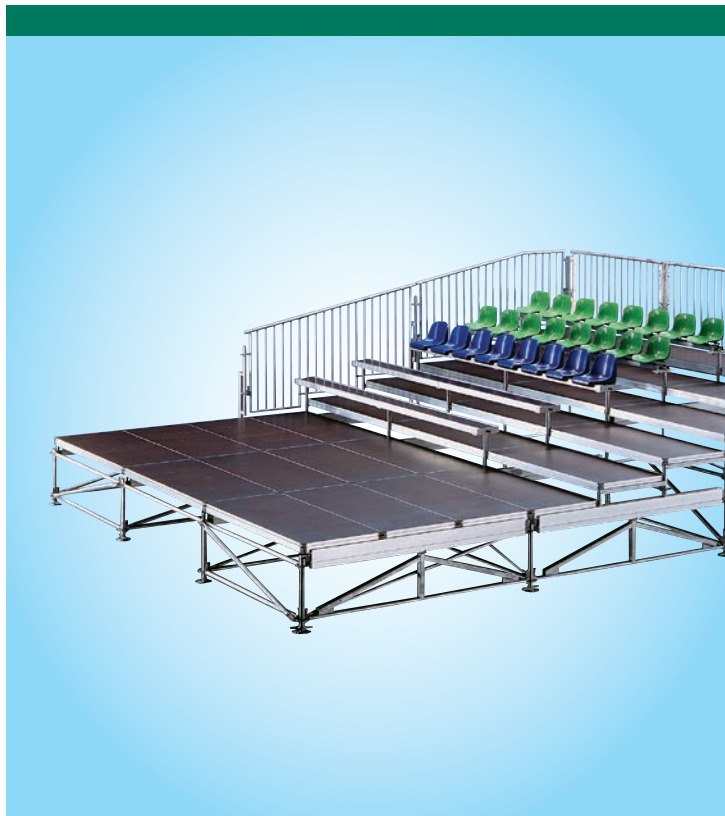


Pos.	Description	WS [mm]	Dimension L / H x W [m]	Weight approx. [kg]	PU [pc.]	Ref. No.		EV86	EV100	EV104
1	Base beam									
	steel, hot-dip galvanized, for EV 86		0.86	13.0	10	5431.086	🕒	▶		
	steel, hot-dip galvanized, for EV 100		1.00	15.5	10	5431.100	🕒		▶	
			2.00	32.5	10	5431.200	🕒		▶	
	steel, hot-dip galvanized, for EV 104		1.04	16.1	10	5431.104	🕒			▶
	steel, hot-dip galvanized, for EV 86 and EV 104		2.07	33.7	10	5431.207	🕒	▶		▶
2	Base lattice beam									
	steel, hot-dip galvanized, for EV 86		0.86 x 0.50	38.2	10	5432.086	🕒	▶		
	steel, hot-dip galvanized, for EV 100		1.00 x 0.50	38.5	10	5432.100	🕒		▶	
			2.00 x 0.50	76.0	10	5432.200	🕒		▶	
	steel, hot-dip galvanized, for EV 104		1.04 x 0.50	39.1	10	5432.104	🏗️			▶
	steel, hot-dip galvanized, for EV 86 and EV 104		2.07 x 0.50	76.7	10	5432.207	🏗️	▶		▶
3	Truss-Transom									
	steel, hot-dip galvanized, for EV 86		0.86	27.8	10	5433.086	🕒	▶		
	steel, hot-dip galvanized, for EV 100		1.00	28.9	10	5433.100	🕒		▶	
			2.00	47.3	10	5433.200	🕒		▶	
	steel, hot-dip galvanized, for EV 104		1.04	29.0	10	5433.104	🏗️			▶
	steel, hot-dip galvanized, for EV 86 and EV 104		2.07	48.6	10	5433.207	🏗️	▶		▶
4	Base plate type 1 steel, hot-dip galvanized, for H30V and H40V support, with 31 drillings		0.41 x 0.41	25.0	10	5434.003	🏗️	▶	▶	▶
5	Base plate type 2 steel, hot-dip galvanized, for H30V and H40V support, with 16 drillings		0.41 x 0.41	25.0	10	5434.002	🕒	▶	▶	▶
6	Special bolt with nut HZS 53 x 34	24	M16 x 60	2.0	12	🏗️ 5434.013	🏗️	▶	▶	▶

WS = wrench size LC = load class PU = packaging unit 🏗️ = available ex works 🕒 = delivery time on request 🏗️ = only available in this packaging unit ⚙️ = the approval process is not yet completed
 🏗️ = Layher Individual possible 🏗️ = new in the catalogue

LAYHER EVENT STANDS

FOR GETTING THE CROWD'S MONEY'S WORTH



No restrictions on comfort, no limits on dimensions and equipment, no concessions to the location: Layher stands are always an excellent "observation point", just as required.

The Layher Event system: Stands for sitting, all over the world and meeting client requirements. Series manufacture and high delivery readiness are our way to help you cut costs and achieve economic success; and tailor-made special solutions whenever necessary are our strengths.

The whole Layher Event system bases on the proven Allround Scaffolding System. Thus makes investments even more economical, because the material can be used for lots of different kinds of use.

THE BENEFITS FOR YOU:

▶ Standard solutions

Series material, economical complete solutions from one source, rapid availability, proven safety.

▶ Substructure Allround

High load-bearing capacity, rapid and flexible erection and dismantling, choice of accessories.

▶ Handy components

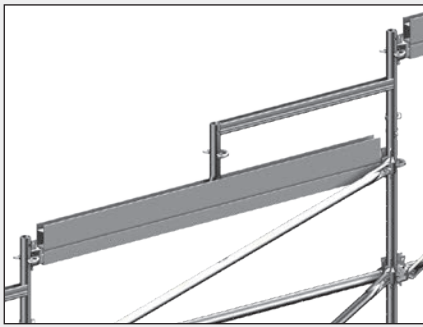
Easy to transport and store, palletizable.

▶ Special design

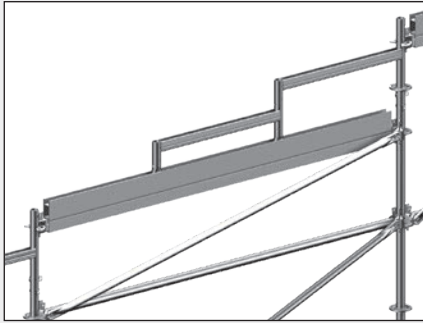
For individualized problem solutions.



Stand components



The **stand element, 1-step 1a/b** with a standard rise of 0.25 m is used for the Event systems EV 100 and EV 104.



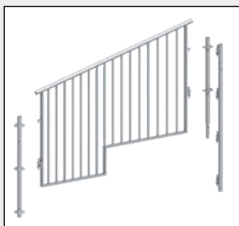
For the Event System EV 86, the **stand elements, 2-step 1c-d** with risers of 0.16 m, 0.25 m or 0.33 m are used.

When Event decks are used, the **steel lift-off preventer 2** is required to prevent the Event decks from lifting off and tilting.

Alternatively, conventional steel decks can also be used, which is to be recommended especially for outdoor events. Here the **steel lift-off preventer 3/4** and the **steel deck support 6** are used.

The steel lift-off preventer is fastened using the **bolt M10 x 70 mm 5**. The bolts must be ordered separately.

The **guardrail standard 0.96 m 7** with spigot fitted at the bottom is used to continue the Allround standards from the substructure. When side guardrails are used, this standard has to be additionally strengthened.



Variant for seating:

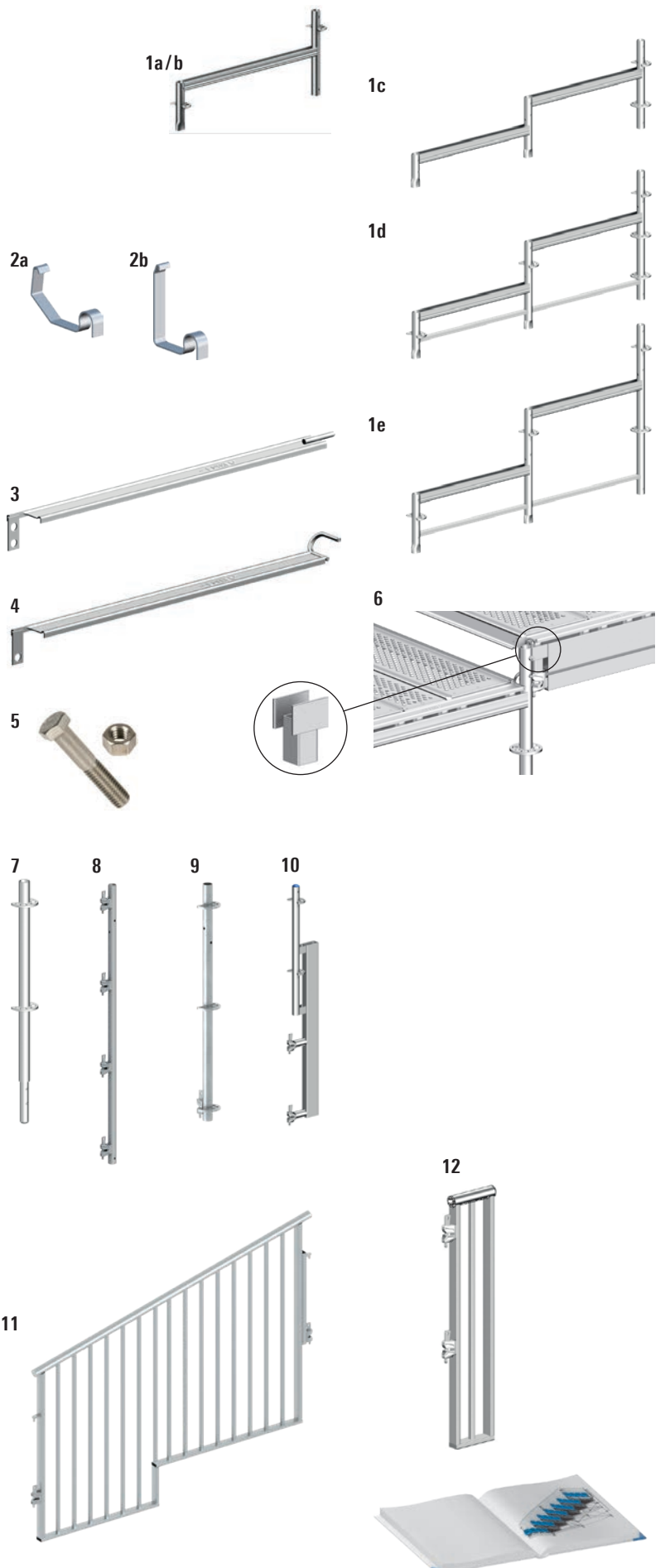
Side guardrail in the system axis



Variant for bench seat:

Side guardrail next to the system axis

The components shown here are showcase. For the different stand variants, showing in table on page 9, further stand components are available. These are stand elements, intermediate steps, guardrails and guardrail posts for each type of stand.



For the stands in standard-version, inspection books are available. See page 7.

Pos.	Description	Dimension L / H x W [m]	Weight approx. [kg]	PU [pc.]	Ref. No.	EV86	EV86Q	EV100	EV104
1	Stand element								
a	1-step, inclination 0.25 m, for EV 100	1.00 x 0.25	6.6	40	5401.010				▶
b	1-step, inclination 0.25 m, for EV 104	1.04 x 0.25	6.7	40	5401.020				▶
c	2-step, inclination 0.16 m, for EV 86 and EV 86Q	0.86 x 0.16	10.6	30	5401.216	▶	▶		
d	2-step, inclination 0.25 m, for EV 86 and EV 86Q	0.86 x 0.25	16.6	20	5401.225	▶	▶		
e	2-step, inclination 0.33 m, for EV 86 and EV 86Q	0.86 x 0.33	18.0	20	5401.233	▶	▶		
2	Lock for stand element								
a	for Event deck T16		2.0	50	5403.522	▶	▶	▶	▶
b	for Event deck T10, T7, T4, T1	0.10	2.0	50	5403.501	▶	▶	▶	▶
3	Steel lift-off preventer T19 for stand elements from 2019, for EV 86 and EV 86Q	0.86	1.5	300	5403.010	▶	▶		
4	Steel lift-off preventer for stand elements to 2019, for EV 86 and EV 86Q	0.86	1.6	268	5403.007	▶	▶		
5	Bolt M10 x 70 mm with nut for steel lift-off preventer, for EV 86 and EV 86Q		3.5	50	5403.011	▶	▶		
6	Steel deck support for EV 86 and EV 86Q	0.1	0.4	500	5403.006	▶	▶		
7	Guardrail standard 0.96 m with bottom mounted spigot and 2 cutaway rosettes	0.96	5.5	28	5405.045	▶	▶	▶	▶
8	Tube with 4 wedge heads	1.70	8.4	50	5405.075	▶	▶	▶	▶
9	Guardrail post	1.16	5.5	50	5405.041	▶	▶	▶	▶
10	Guardrail post for stand	1.60	14.0	20	5405.050	▶	▶	▶	▶
11	Side guardrail T12								
	2-step, 0.25 m inclination	2.00 x 1.10	32.1	25	5410.208				▶
		2.07 x 1.10	32.5	25	5410.209				▶
	3-step, 0.16 m inclination	2.57 x 1.10	38.6	25	5410.304	▶	▶		
	3-step, 0.25 m inclination	2.57 x 1.10	39.6	25	5410.305	▶	▶		
	3-step, 0.33 m inclination	2.57 x 1.10	40.7	25	5410.306	▶	▶		
12	Corner guardrail T12	0.28 x 1.10	11.2	40	5410.303	▶	▶	▶	▶

Stand seats

You can choose the seating to suit the application, but also to suit your specific conditions. There is a choice of benches, bucket seats and tip-up seats.

Variant for bench seat:

The bench seat mounting is achieved with the **bench adapters 10**. The length of the vertical tubes is matched to the respective riser.

For the bottom row of seats, **seat supports with integrated rosette 11** are used.

The **bench 1** is 0.30 m wide and comprises anodised aluminium stiles and smooth-coated plywood.

Bench seats are secured using **wedges 9**. At the posts for side guardrails, **short wedges 9** are needed. At the ends of each row of seats, **bench ends 2** are fitted.

Novanta bucket seats 3 can be fastened to the benches. We recommend benches with predrilled holes here. The standard Novanta bucket seats are dark blue, UV-protected and flame-retardant.

The assembly material comprises per seat:

- ▶ 2 bolts with square neck
- ▶ 2 washers
- ▶ 2 nuts
- ▶ 1 plug, left
- ▶ 1 plug, right
- ▶ Number plate without lettering, white

Variant for folding seats:

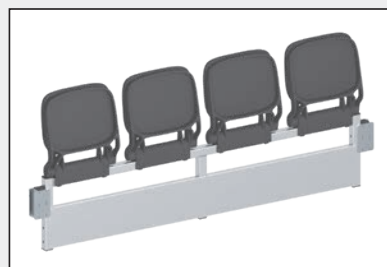
Tip-up seats 12 are clamped to the **aluminium frames 14** at one point. This creates handy seat elements for rapid assembly and low transport volumes.

Aluminium frames 14 are inserted from above into the **adapters 15**. To fasten side guardrails, **standards 0.92 m with adapter 17** are used.

For the bottom row of seats, **adapters with rosette 16** are used, and on the side guardrail the **standard 1.18 m with adapter 18**.

The **aluminium frames, the adapters and standards for tip-up seats 14–18** match all three risers: 0.16 m, 0.25 m and 0.33 m.

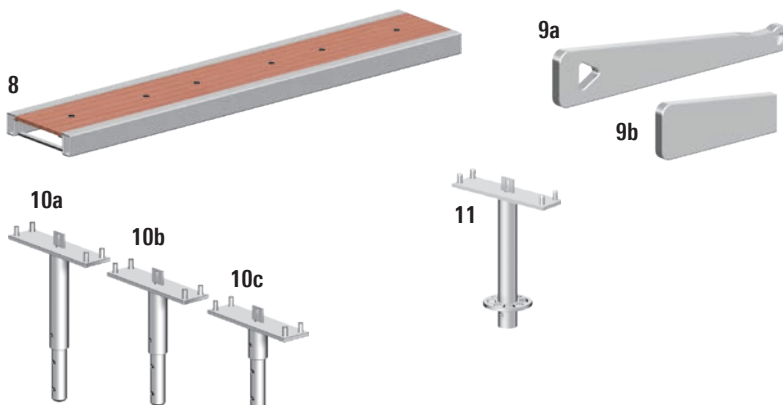
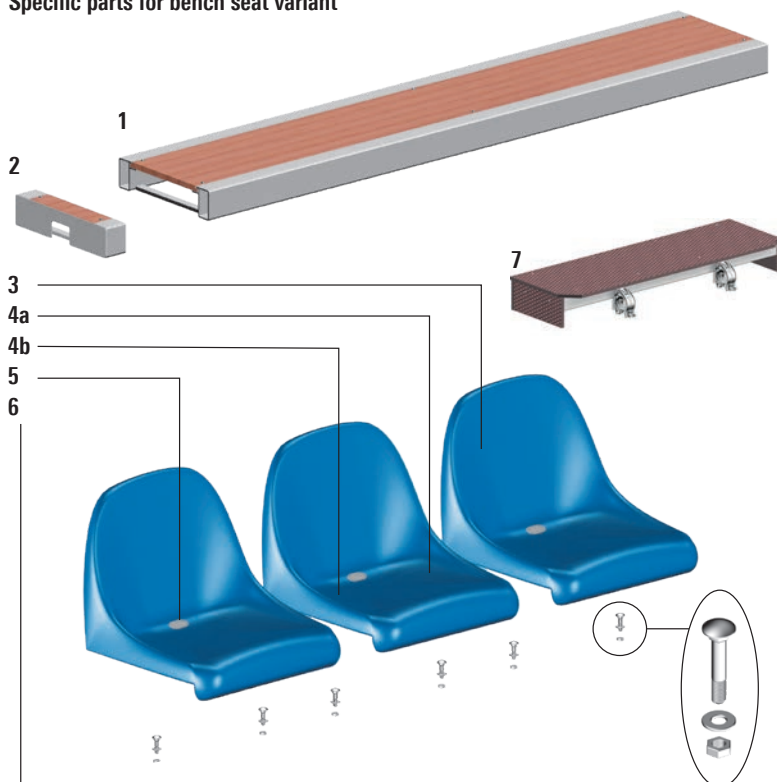
Tip-up seats in the following colours on request:



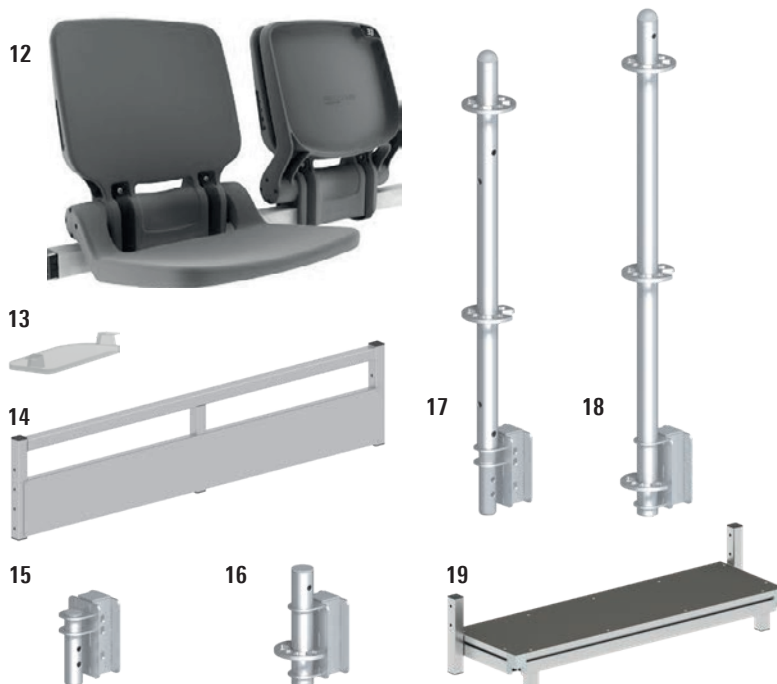
Variant for seating:

Alternatively, already available chairs can be placed on the Event stand. The specified clear passage width inside the row of seats must be taken into account here.

Specific parts for bench seat variant



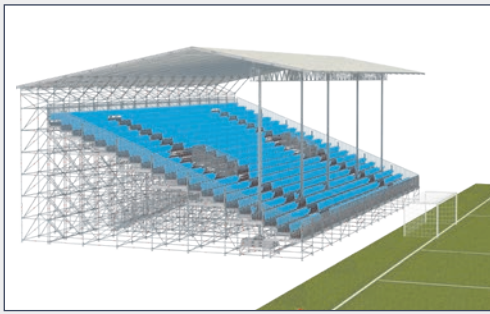
Specific parts for folding seats



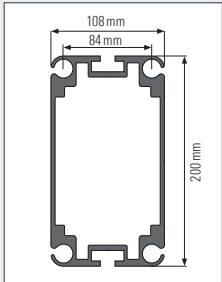
Pos.	Description	Dimension L / H x W [m]	Weight approx. [kg]	PU [pc.]	Ref. No.				
						EV86	EV86Q	EV100	EV104
1	Bench								
	anodised aluminium, coated plywood, for EV 86 and EV 86Q	1.57 x 0.30	7.2	60	5623.157	🕒	▶	▶	
	anodised aluminium, coated plywood, for EV 100	2.00 x 0.30	9.4	60	5623.200	🕒		▶	
	anodised aluminium, coated plywood, for EV 86 and EV 104	2.07 x 0.30	9.5	60	5623.207	🕒	▶		▶
	anodised aluminium, coated plywood, for EV 86Q	2.57 x 0.30	11.7	60	5623.257	🕒		▶	
2	Bench end anodised aluminium, coated plywood	0.06 x 0.30	0.5	400	5624.000	📦	▶	▶	▶
3	Novanta bucket seat blue UV-protected and flame-retardant	0.40 x 0.43	1.6	120	5408.021	📦	▶	▶	▶
4	Plug								
	a left, blue		0.2	20	5408.029	📦	▶	▶	▶
	b right, blue		0.2	20	5408.030	📦	▶	▶	▶
5	Number plate without lettering, white		0.2	20	5408.028	📦	▶	▶	▶
6	Assembly-Set for 20 bucket seats existing of 40 bolts M8 x 40 mm, 40 nuts and 40 washers		1.2	40	5408.008	📦	▶	▶	▶
7	Intermediate step 0.30 x 0.12 x L, with 2 half couplers, for EV 100 and EV 104	L = 1.00	8.4	12	5402.110	🕒		▶	▶
		L = 1.25	10.5	24	5402.130	🕒		▶	▶
8	Bench, with holes								
	for Novanta bucket seats, for EV 86 and EV 86Q	1.57 x 0.30	7.2	60	5408.157	🕒	▶	▶	
	for Novanta bucket seats, for EV 86 and EV 104	2.07 x 0.30	9.5	60	5408.207	📦	▶		▶
	for Novanta bucket seats, for EV 86Q	2.57 x 0.30	11.7	60	5408.257	📦		▶	
9	Allround wedge								
	a steel, for securing bench	0.14	12.0	100	6494.901	📦			
	b short, 90 mm without holes, for securing bench at edge of stand	0.09	1.0	10	6495.041	📦	▶	▶	▶
10	Bench adapter								
	a inclination 0.16 m, for EV 86 and EV 86Q	0.42	3.7	100	5406.010	📦	▶	▶	
	b inclination 0.25 m, for EV 86, EV 86Q, EV 100 and EV 104	0.34	3.4	100	5406.015	📦	▶	▶	▶
	c inclination 0.33 m, for EV 86 and EV 86Q	0.26	3.0	100	5406.020	🕒	▶	▶	
11	Seat support with rosette for lowest stand row	0.34	4.0	300	5619.000	🕒	▶	▶	▶
12	Tip-up seat, black UV-protected and flame-retardant	0.48 x 0.42	3.2	60	5515.001	📦	▶	▶	▶
13	Lens for seat for tip-up seat	NEW	0.1	20	5515.022	📦			
14	Aluminium frame for tip-up seats suitable for all inclinations		1.50 x 0.43	7.4	50	5517.150	🕒		▶
			2.00 x 0.43	9.4	50	5517.200	🕒		▶
			1.57 x 0.43	7.6	50	5517.157	🕒	▶	▶
			2.07 x 0.43	9.7	30	5517.207	📦	▶	
			2.50 x 0.43	11.6	30	5517.250	🕒		▶
			2.57 x 0.43	11.8	30	5517.257	🕒		▶
15	Adapter with spigot	0.17	2.8	150	5521.001	📦	▶	▶	▶
16	Adapter with rosette for lowest stand row	0.26	3.5	150	5521.002	🕒	▶	▶	▶
17	Standard 0.92 m with adapter for guardrail mounting	0.92	7.8	50	5521.003	🕒	▶	▶	▶
18	Standard 1.18 m with adapter for guardrail mounting at the lowest stand row	1.18	7.9	50	5521.004	🕒	▶	▶	▶
19	Intermediate step for stands with tip-up seats Step depth 0.43 m		1.57 x 0.12	13.2	10	5402.132	🕒	▶	▶
			1.57 x 0.16	13.7	10	5402.134	🕒	▶	▶
			2.07 x 0.12	16.8	10	5402.136	🕒	▶	
			2.07 x 0.16	17.3	10	5402.138	🕒	▶	

WS = wrench size LC = load class PU = packaging unit 📦 = available ex works 🕒 = delivery time on request 📦 = only available in this packaging unit ⚙️ = the approval process is not yet completed
 🧑 = Layher Individual possible 🆕 = new in the catalogue

Stand roof

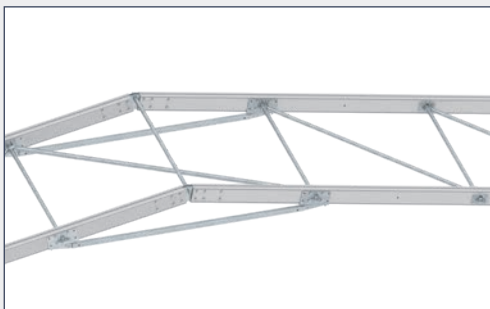


The **Layher stand roof** protects the audience from sun and rain.

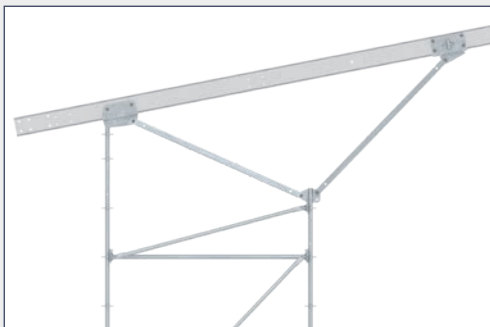


The basis for the roof trusses is the **Keder Rail 9000 1** with additional holes. The spacing of the keder grooves is 3 cm wider than with other Layher keder rails, which must be taken into account when ordering the roof tarpaulins.

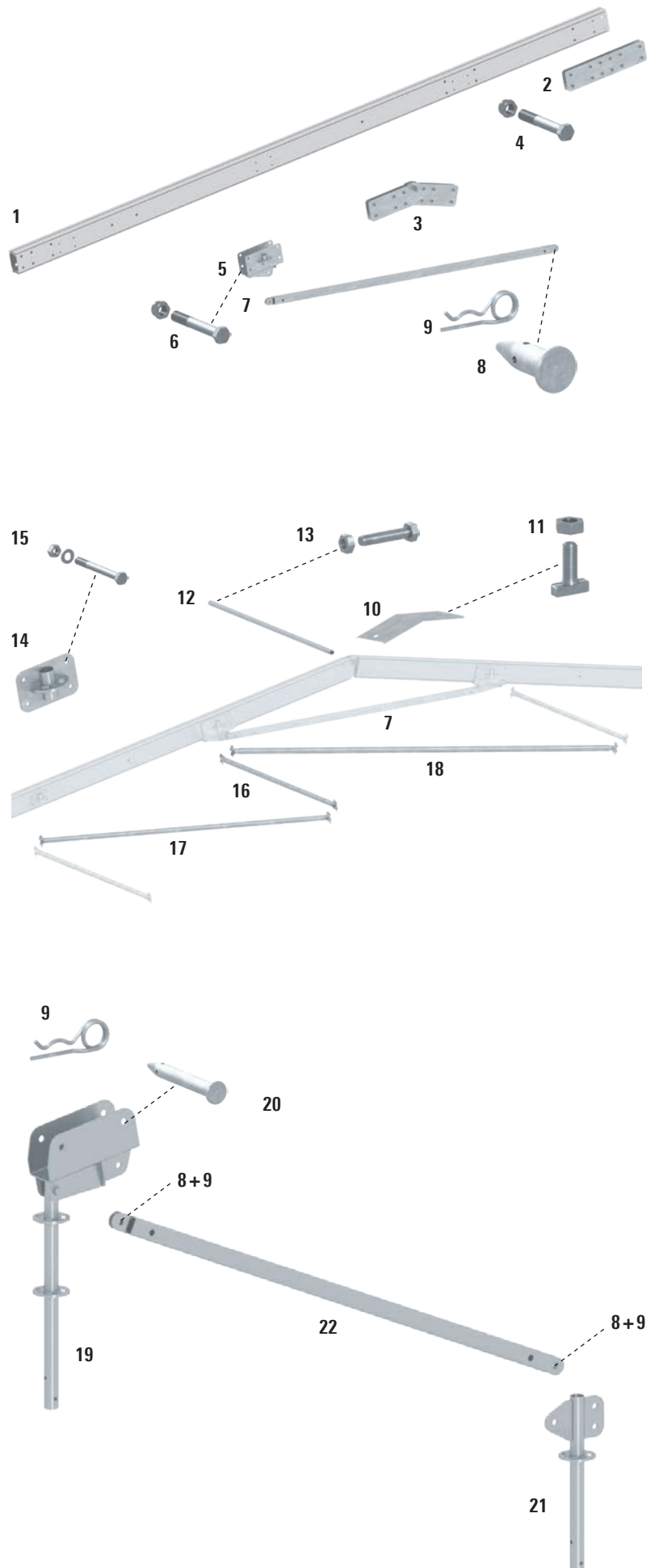
The keder rails are extended with the **keder rail connector 2**, and the **ridge connector 3** is used to form the roof ridge with $2 \times 11^\circ$. For the assemblies mounted on the ground, the elements are fastened with **hexagonal bolts 4** and **6**. The pre-assembled sections are connected at height with **bolts 20**.



The stiffening of the roof trusses is carried out with corresponding **O-bolts 16** and **horizontal diagonal braces 17** and **18**. The connections are realised with the **rosette adapter 14** and the **bolt 15**. The truss spacing is 2.07 m.



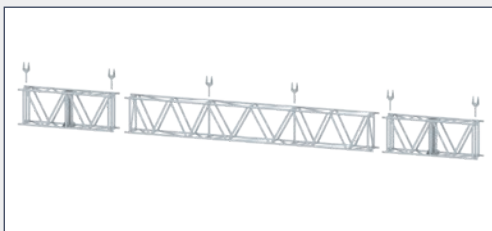
With the help of the **support and bracing elements 19** to **22**, the stand roof can be placed on a pre-assembled stand back wall (2.07 m wide) in a bending-stiff way.



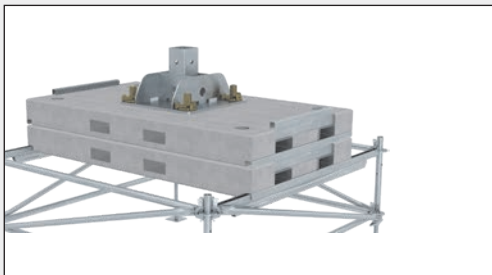
Pos.		WS [mm]	Dimension L / H x W [m]	Weight approx. [kg]	PU [pc.]	Ref. No.	
1	Keder rail 9000		4.00	45.8	50	5411.004	🕒
			6.00	65.8	50	5411.006	🕒
			8.00	87.7	50	5411.008	🕒
2	Keder rail connector		0.80	19.6	20	5411.010	🕒
3	Ridge connector		0.90	21.0	20	5411.011	🕒
4	Hexagonal bolt M20 x 140 mm with securing nut			11.5	25	🏠 5411.093	🕒
5	Support for FW connection		0.25	11.1	12	5411.022	🕒
6	Hexagon bolt M20 x 150 mm with securing nut			12.1	25	🏠 5411.094	🕒
7	Ridge strut		2.85	20.9	20	5411.012	🕒
8	Bolt 20 x 66 mm			1.6	10	🏠 2646.221	🏠
9	Securing pin D=4 mm			1.5	50	🏠 5905.002	🏠
10	Ridge cover sheet		0.25 x 0.105	0.2	500	5411.013	🕒
11	Groove bolt for keder rail M12 x 40 with nut			5.0	50	🏠 4206.003	🏠
12	Ridge tube for 2.07 m truss spacing		2.00	6.8	50	5411.046	🕒
13	Special bolt M12 x 60 mm with nut	19		4.0	50	🏠 4905.062	
14	Rosette adapter		0.20	2.0	150	5411.026	🕒
15	Hexagon bolt M12 x 140 mm with nut an washer			8.2	50	🏠 5411.092	🕒
16	O-ledger LW		1.95	6.8	50	5411.042	🕒
17	O-ledger LW horizontal diagonal		2.80	9.5	50	5411.043	🕒
18	Ridge horizontal diagonal brace for 2.07 m truss spacing		3.56	15.2	50	5411.044	🕒
19	Bearing with standard		0.90	14.6	10	5411.020	🕒
20	Bolt 20 x 167 mm			2.7	6	🏠 5411.091	🕒
21	Stand roof standard with FW system connector		0.60	5.3	28	5411.024	🕒
22	FW Chord		2.07	13.9	20	🏠 2646.207	🏠

WS = wrench size LC = load class PU = packaging unit 🏠 = available ex works 🕒 = delivery time on request 🏠 = only available in this packaging unit ⚙️ = the approval process is not yet completed
 🏠 = Layher Individual possible 🏠 = new in the catalogue

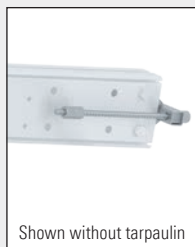
Stand roof



At the front of the grandstand, the roof trusses are supported by a 4-point beam made of **steel truss components 2**. The roof trusses are connected every 2.07 m. The 4-point beam transfers the roof loads to the **roof supports 5**. In the standard version, the roof props are positioned at a distance of 8.28 m.

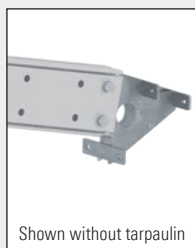


The **roof supports 5** are supported on specially designed **ballast elements 10**. These system ballast elements can be placed directly on the Allround scaffolding to ensure positioning and alignment. For the tension-resistant connection of the prop to the ballast, **bridging system diagonal rods 9** are provided, which are cut to size on site. The **plate nuts 8** (4 pieces at the top and 4 pieces at the bottom) are used for bracing.



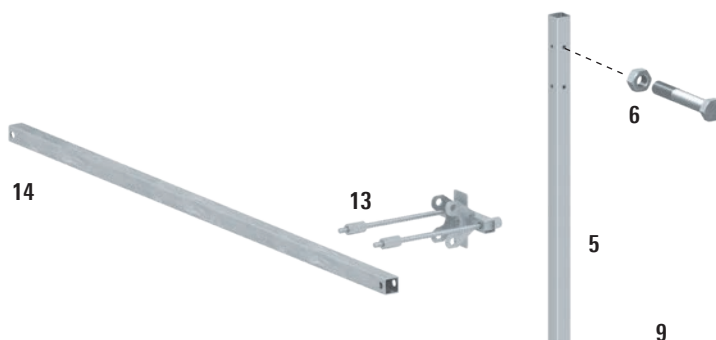
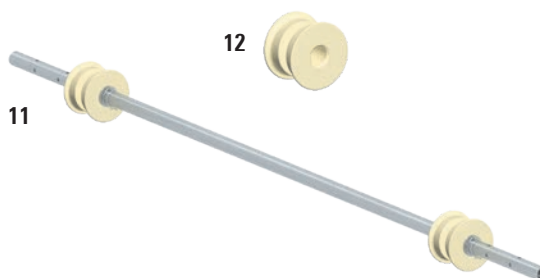
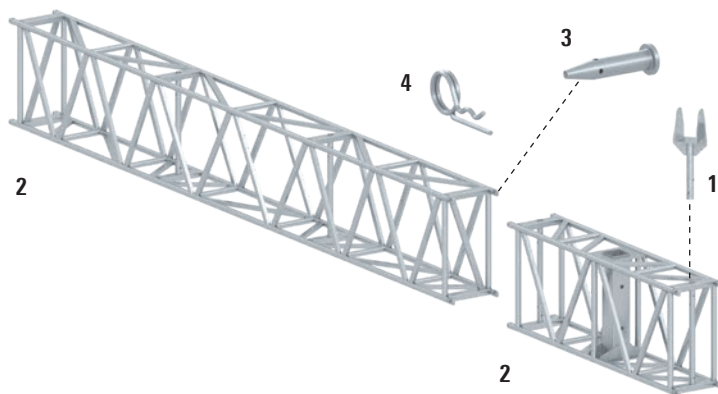
Shown without tarpaulin

The **K9000 tarpaulin tensioners 13** are fitted to the rear ends of the roof girders. The threaded rods put the **tensioning tube 14** into the optimal position. The loose end of the roof tarpaulin can be fixed to the keder rails with a tube stiffener (Ref. No. 4204.207).

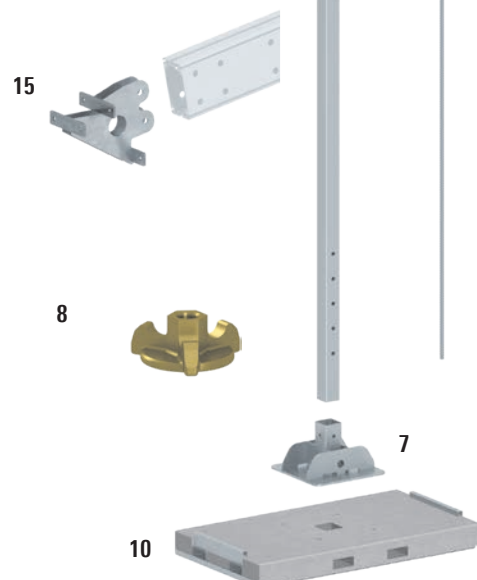


Shown without tarpaulin






The rain gutter is mounted on the front roof girder ends. The **gutter bracket K9000 15** enables the connection of a slotted ridge tube, to which the roof tarpaulin is attached, and 2 keder rails 2000 (Ref. No. 4201.xxx) between which the matching tarpaulin strip is suspended as a gutter. The narrow keder tarpaulin is manufactured on a project-specific basis to match the desired position of the downpipes.



The **ballast element 10** can be moved either by forklift truck or by crane. For this purpose, spherical head stops (Philipp spherical head transport anchor 81-013-120) are cast into the concrete.

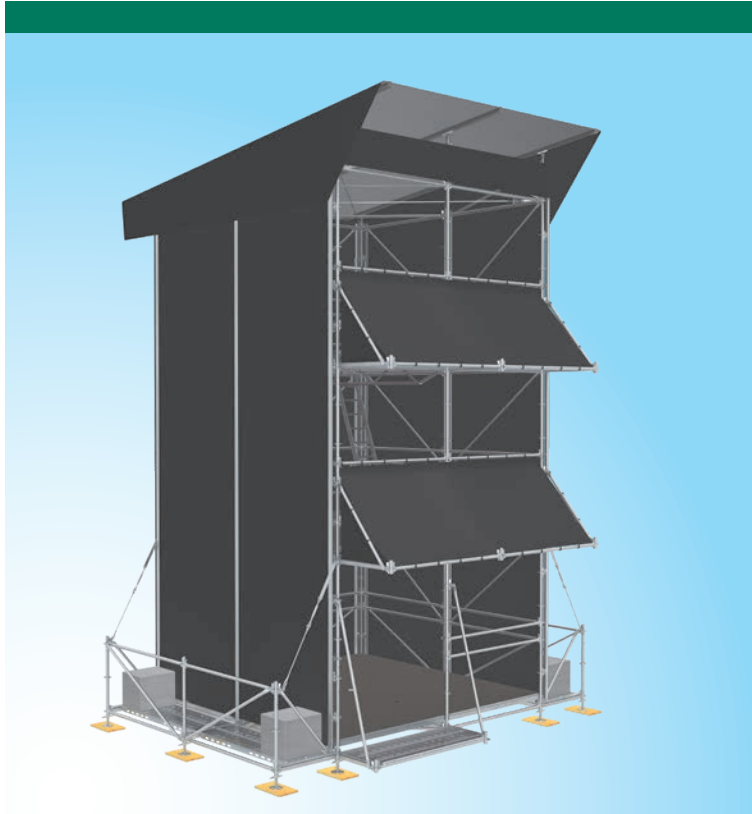


Pos.		Dimension L / H x W [m]	Weight approx. [kg]	PU [pc.]	Ref. No.	
1	Fork with tube connector	0.49	4.3	20	5411.028	⊕
2	Steel truss 0.40 x 0.80 m	2.23	170.3	2	5411.060	⊕
		6.00	285.8	2	5411.066	⊕
3	Bolt 15.8 x 80 mm		0.7	4	5550.003	⊕
4	Securing pin D=2.8 mm		0.5	50	4905.002	⊕
5	Roof support 0.14 x 0.14 m drilled	7.50	257.0	5	5411.087	⊕
6	Hexagon bolt M30 x 200 mm with nut		7.6	5	5411.096	⊕
7	Grandstand roof holder for roof support	0.68	111.0	2	5411.080	⊕
8	Plate nut	0.13	1.5	250	5411.099	⊕
9	Bridging system diagonal rod for 2.07 m bay length	3.05	7.9	75	2671.030	⊕
10	Concrete ballast element	2.13 x 1.20 x 0.20	1250.0	1	5411.100	⊕
11	Set for tarpaulin pulling K9000	3.00	6.0	50	5411.110	⊕
12	Castor for tarpaulin pulling K9000 D=175 mm		0.4	1	5411.111	⊕
13	Tarpaulin tensioner K9000	0.44 x 0.23	4.3	50	5411.130	⊕
14	Tensioning tube for 2.07 m panel	1.93	3.7	50	5411.135	⊕
15	Gutter bracket K9000	0.32 x 0.28	5.1	50	5411.120	⊕

WS = wrench size LC = load class PU = packaging unit  = available ex works ⊕ = delivery time on request  = only available in this packaging unit  = the approval process is not yet completed
 = Layher Individual possible  = new in the catalogue

FOH TOWER

TOWERS FOR EVERY EVENT IN MODULAR DESIGN



The Layher FOH Tower kit system provides you with the right solution for your Front-Of-House applications. To meet the most frequently encountered requirements, a total of 12 FOH Tower complete KITS are available.

ONE SYSTEM – MANY VARIANTS

The kit system and Layher's flexible Allround equipment offers an impressive variability.

Whether it's a 2 or 3 bay width, with or without a projecting roof and entrance, with 1, 2 or 3 storeys. The Layher FOH Tower kit system means more possibilities. Typical for Layher!

THE BENEFITS FOR YOU:

- ▶ Quick and easy assembly thanks to optimum use of material.
- ▶ Neat and practically-minded design down to the last detail.
- ▶ Each of the maximum of three levels is without a hindering central support.
- ▶ Complete enclosure using keder tarpaulins.
- ▶ Very few special parts.
- ▶ Two inspection books available: 4.14 m x 4.14 m (4x4) and 6.21 m x 4.14 m (6x4).

VIDEO WALL



To give all of the audience a closer look at the performers at major open-air concerts, and also because the broadcasting of major sporting events like the FIFA World Cup is increasingly evolving into a spectacle for the entire public, LED video screens have now become essential.

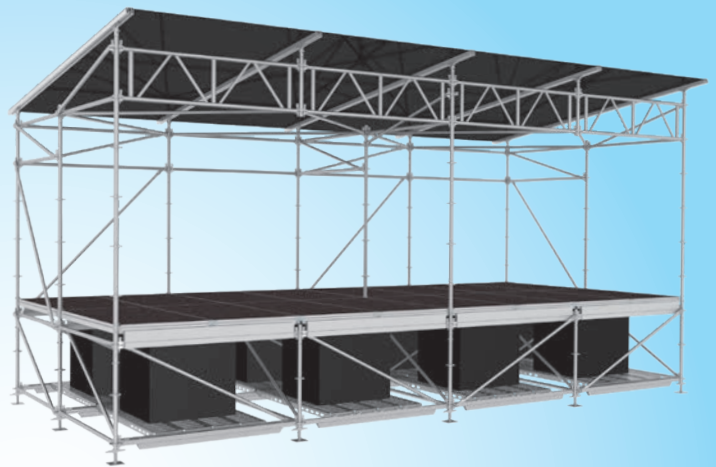
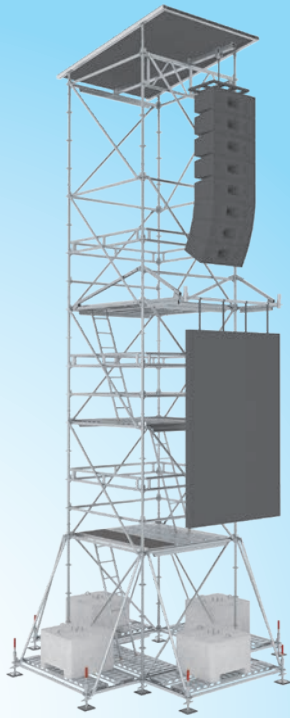
But since not every concert and not every fan community makes the same demands of a video screen, and the LED displays made up of several panels can be flexibly adjusted in size to suit actual needs, Layher has designed its video wall system for easy adaptation to requirements on the spot.

THE BENEFITS FOR YOU:

- ▶ High degree of planning certainty and simplicity, by covering many application scenarios with one system and by rapid material availability.
- ▶ High degree of legal security, thanks to the inspection book provided in accordance with DIN EN 13814 and covering all system variants. Stability is verified for up to wind zone 4. The video screen does not have to be removed in strong winds (display panel manufacturer's specifications must be complied with).
- ▶ Quick and easy assembly without a crane, thanks to bolt-free pin and wedge connection technology.

PA TOWER PLUS

SIDE STAGES



Compared with one-off solutions devised for specific projects, the PA Tower PLUS is not only quick to deliver due to the use of Allround standard components, and efficient to assemble.

Depending on requirements, more than 300 pre-configured variants in various heights and widths are possible with the Allround construction kit. An extensive structural report is available for all these variants.

The applications range from classic loudspeaker towers and camera / directing towers to towers for lighting or advertising.

THE BENEFITS FOR YOU:

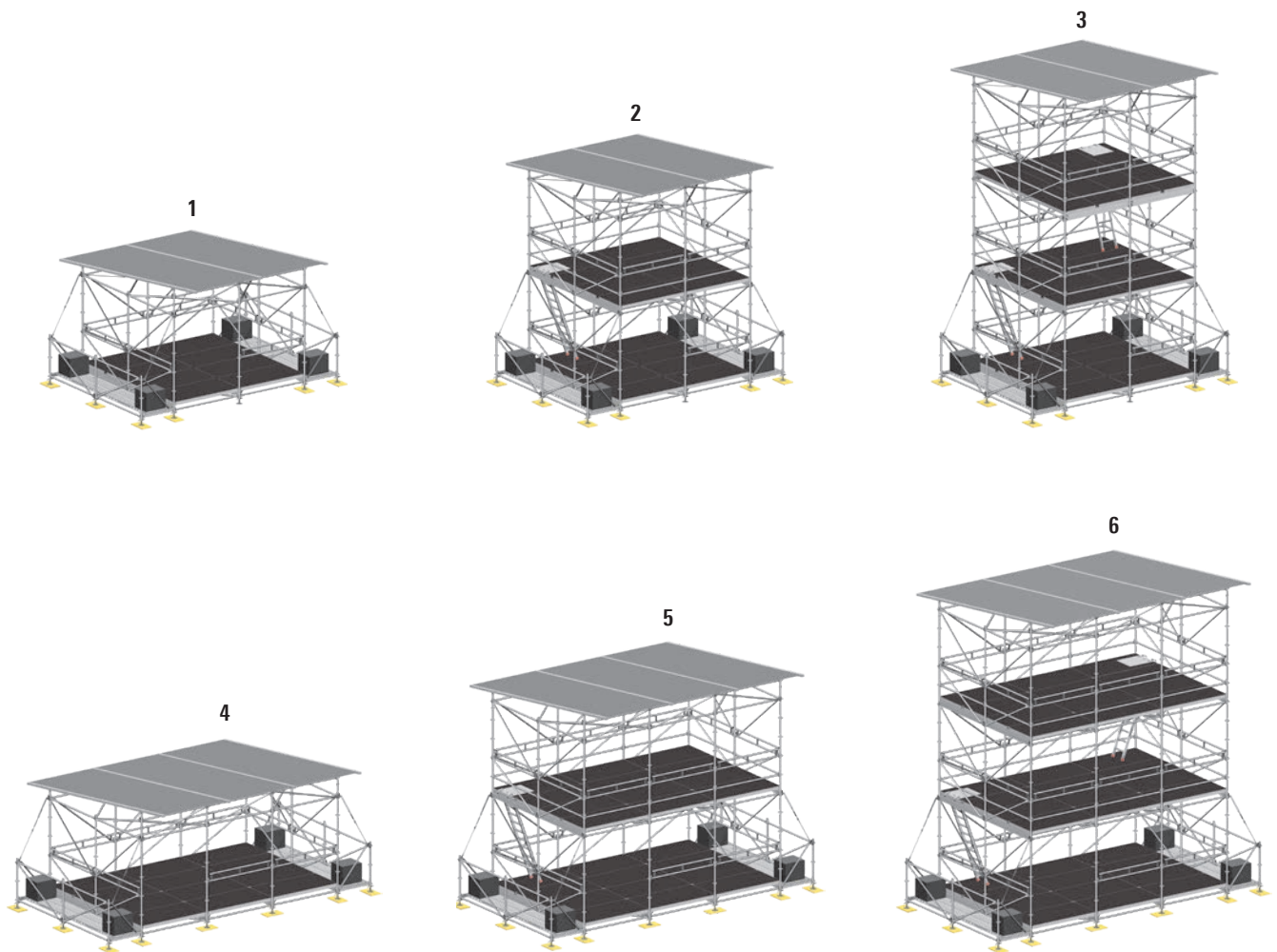
- ▶ Modular design, based on the Allround construction kit.
- ▶ Economical to assemble thanks to bolt-free wedge and pin connections.
- ▶ Minor logistic effort thanks to small packing dimensions.
- ▶ Planning and scheduling certainty thanks to availability of a structural report with more than 300 different variants.
- ▶ Investments are protected by new application possibilities for existing material without major additional investments.

Structural strength calculations and inspection books for smaller open-air stages and mobile stages usually ignore a technical area positioned at the side or behind the stage floor. This technical area is needed for preparing and storing technical equipment and instruments. Unlike expensive one-off solutions, side attachments for stages using Allround Scaffolding are considerably faster to build, making them more economical too.

To assist its clients even during the planning phase, Layher has verified the stability for a range of different configurations.

THE BENEFITS FOR YOU:

- ▶ No need to invest in individual structural analyses for Side Stages.
- ▶ Safety under the law from available verification of stability.
- ▶ Added value of existing material – new application options without additional investment.
- ▶ Well thought-out system solution using rapidly available standard Allround Scaffolding parts.
- ▶ Quick and easy building manually. No crane is needed.



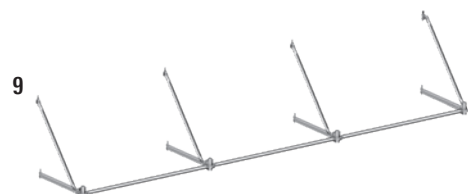
The Layher FOH Towers are of modular design in a kit system. To add a further storey to your FOH tower, it's only necessary to adjust the number of parts, but not their type. The optionally available projecting roofs and the optional entrance steps can be easily mounted if required.



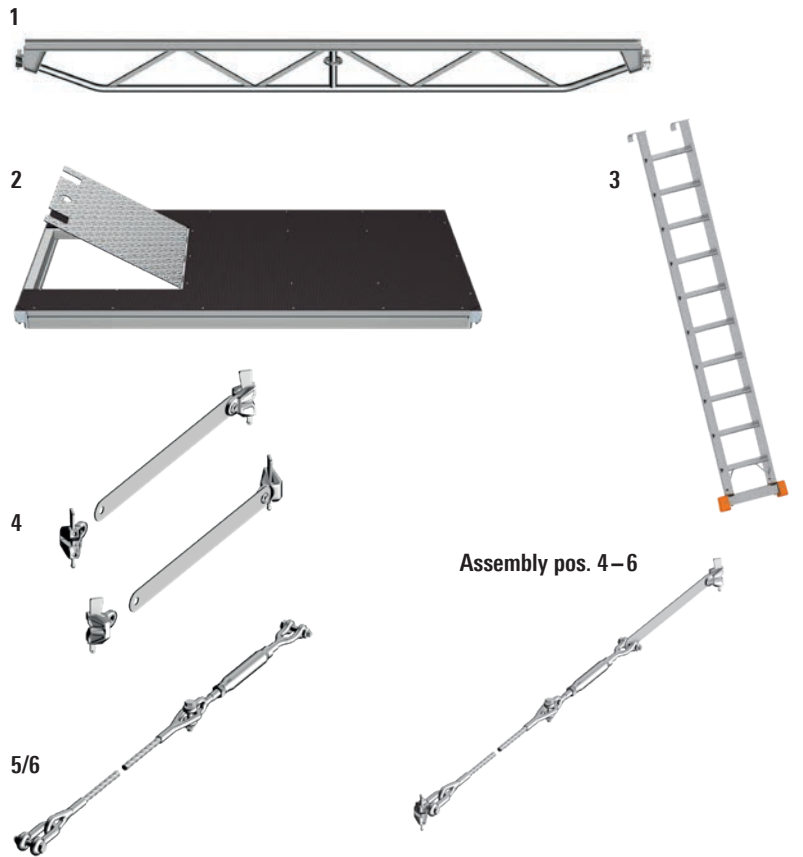
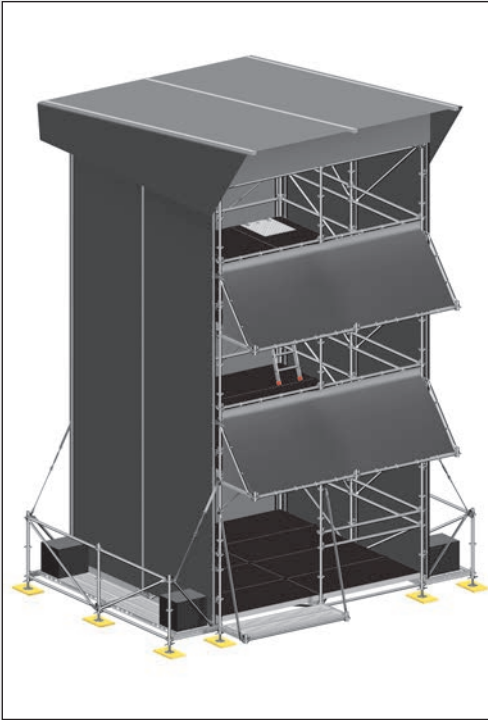
For all the shown variants of the FOH tower, an inspection book is available. See page 7.

The construction complies with DIN EN 13814, which reflects the current state of the art. The Layher FOH Tower is available in the well-known Layher grid dimensions and in metric dimensions.

The wall coverings (rear wall and side walls) are available as a separate kit for all FOH towers variants. These consist of: keder rail holders, keder rails 2000, keder tarpaulins and gable tarpaulins.



Pos.	Description	Dimensions L/H x W [m]
1a	FOH Tower with 1 storey including roof tarpaulins	4.00 x 4.00
	Wall covering for FOH tower 1a	
1b	FOH Tower with 1 storey including roof tarpaulins	4.14 x 4.14
	Wall covering for FOH tower 1b	
2a	FOH Tower with 2 storeys including roof tarpaulins	4.00 x 4.00
	Wall covering for FOH tower 2a	
2b	FOH Tower with 2 storeys including roof tarpaulins	4.14 x 4.14
	Wall covering for FOH tower 2b	
3a	FOH Tower with 3 storeys including roof tarpaulins	4.00 x 4.00
	Wall covering for FOH tower 3a	
3b	FOH Tower with 3 storeys including roof tarpaulins	4.14 x 4.14
	Wall covering for FOH tower 3b	
4a	FOH Tower with 1 storey including roof tarpaulins	6.00 x 4.00
	Wall covering for FOH tower 4a	
4b	FOH Tower with 1 storey including roof tarpaulins	6.21 x 4.14
	Wall covering for FOH tower 4b	
5a	FOH Tower with 2 storeys including roof tarpaulins	6.00 x 4.00
	Wall covering for FOH tower 5a	
5b	FOH Tower with 2 storeys including roof tarpaulins	6.21 x 4.14
	Wall covering for FOH tower 5b	
6a	FOH Tower with 3 storeys including roof tarpaulins	6.00 x 4.00
	Wall covering for FOH tower 6a	
6b	FOH Tower with 3 storeys including roof tarpaulins	6.21 x 4.14
	Wall covering for FOH tower 6b	
7	FOH entrance	2.00
		2.07
8	FOH projecting roof for 2 bays including tarpaulin	4.00
		4.14
9	FOH projecting roof for 3 bays including tarpaulin	6.00
		6.21



Roof and wall cladding

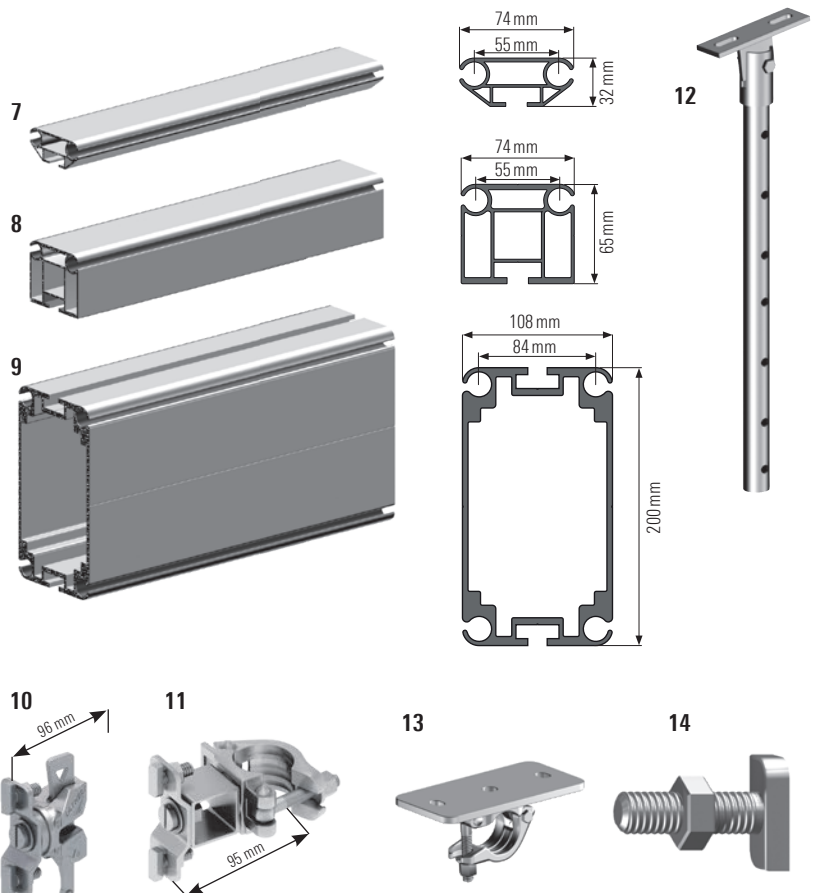
The proven **keder rail 2000 7**. Known for its low weight. Ideal for lightweight applications, particularly for wall coverings and scaffolding covers.

The **keder rail 3000 8** – very strong yet light. It is perfectly suited for medium spans, as found for example in FOH and directing towers or in technical equipment and storage areas. The keder rail 3000 can also be used as a wall keder rail over large spans.

The **keder rail 9000 9** is suitable as a heavy-duty marquee section for large and very large spans. Roofs and side coverings for large open-air stages can be constructed with this section, in addition to massive roofs for stands.

The **keder rails 7, 8 and 9** are suitable for keder tarpaulins with a keder of 13 mm.

When using the **keder rails 7 and 8**, standard tarpaulins from the protective system range can be used. When using the **keder rail 9**, the tarpaulins must be 29 mm narrower. We offer suitable material upon request.

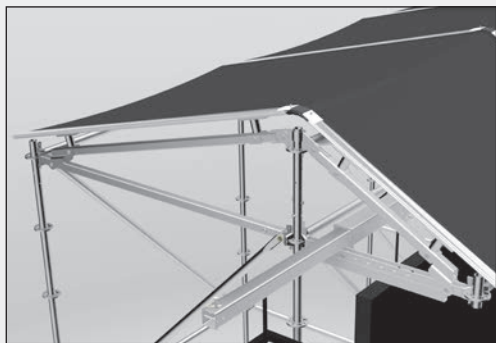


Pos.	Description	WS [mm]	Dimension L / H x W [m]	Weight approx. [kg]	PU [pc.]	Ref. No.	EV86	EV100	EV104
1	FOH beam								
	for EV 100		4.00	38.1	20	5573.010			
	for EV 104		4.14	38.6	20	5573.011			
2	Event access deck T16								
	with aluminium hatch, for EV 86		0.86 x 2.07	33.9	10	5402.221			
	with aluminium hatch, for EV 100		1.00 x 2.00	36.3	10	5402.222			
	with aluminium hatch, for EV 104		1.04 x 2.07	38.0	10	5402.223			
3	Single step ladder with hook 10-steps for storey height 2.50 m, for EV 100 and EV 104		2.70 x 0.45	7.7	10	5573.021			
4	FOH rope holder set 4 parts for connection of the ballast bays, for EV 100 and EV 104			2.7	100	5573.002			
5	Rope fastener for ballast bays, for EV 100 and EV 104		1.22	1.3	10	5573.005			
6	Rope fastener, for roof stiffening								
	as HD 4.00 x 4.00 m, for EV 100		5.57	7.5	10	5573.003			
	as HD 4.14 x 4.14 m, for EV 104		5.77	7.6	10	5573.004			
7	Aluminium keder rail 2000		1.30	1.9	50	4201.130			
			2.00	3.0	50	4201.200			
			2.25	3.3	50	4201.220			
			2.50	3.8	50	4201.250			
			3.00	4.5	50	4201.300			
			4.00	6.0	50	4201.400			
			6.00	9.0	50	4201.600			
8	Aluminium keder rail 3000		2.00	6.1	20	5574.200			
			3.00	9.2	20	5574.300			
			4.00	12.2	50	5574.400			
			5.00	15.3	20	5574.500			
			6.00	18.3	50	5574.600			
9	Aluminium keder rail 9000		5.00	54.8	10	5577.500			
			6.00	65.8	20	5577.600			
			9.00	98.7	10	5577.900			
10	Keder rail holder with wedge head rotatable, incl. 2 groove bolts		0.10	0.9	25	5573.000			
11	Keder rail holder with half-coupler rotatable, incl. 2 groove bolts	19	0.16	1.0	25	5573.006			
12	Hinged attachment		0.70	3.4	100	5573.001			
13	Half-coupler with plate	19	0.20 x 0.10	2.1	100	5573.030			
14	Groove bolt for keder rail M12 x 40								
	with nut			5.0	50	4206.003			
	M12 x 25 mm, with nut			4.3	50	4206.004			

WS = wrench size LC = load class PU = packaging unit = available ex works = delivery time on request = only available in this packaging unit = the approval process is not yet completed

= Layher Individual possible = new in the catalogue

Video wall system



Product advantages:

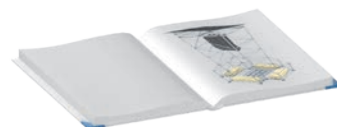
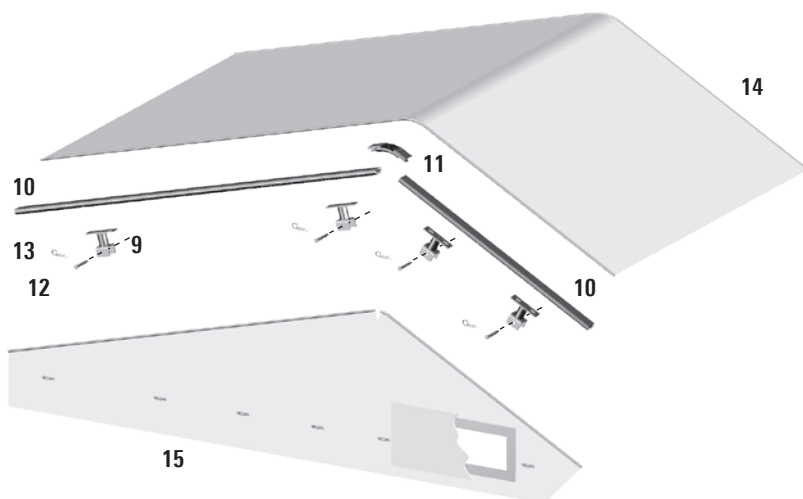
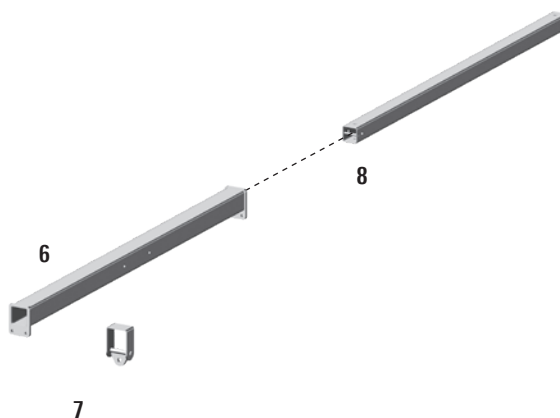
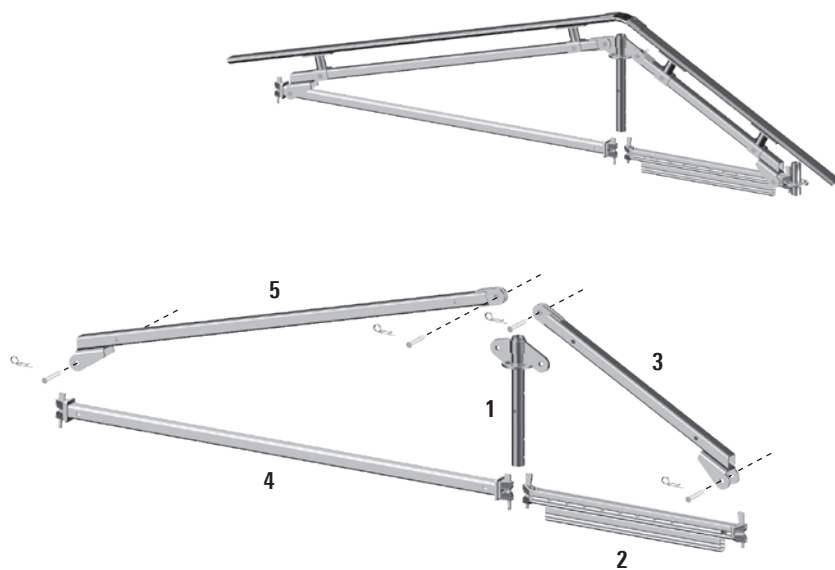
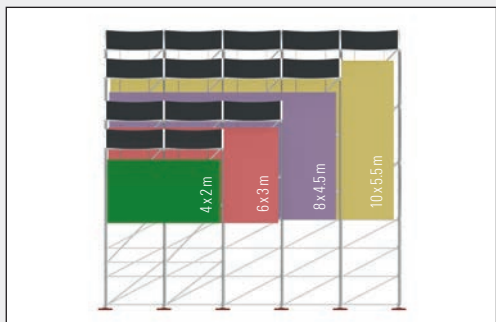
- ▶ Modular design based on Layher Allround Scaffolding
- ▶ Manual assembly
- ▶ Economical to assemble thanks to wedge and pin connections
- ▶ Low transport volume
- ▶ Expandable with additional functions
- ▶ Roofing
- ▶ Enclosure
- ▶ Table / podium
- ▶ Projecting arm for PA

The load bracket consists of five parts connected to one another with **pins 12**. The **standard 0.50 m 1** has two different receiving plates for fastening the **diagonal braces 3** and **5**. At the top level of the scaffolding wall, one **ledger 4** is used. The projecting **U-ledger 2** can receive the **load beams 6** from both sides.

At the ends of the video screen, **projecting arms 8** can be laterally inserted to support the loads of up to 5 kN. The necessary M12 x 130 bolts are supplied together with the projecting arm.

A roof can be constructed optionally. To do so, the **keder holders 9** are fastened by means of **pins 12** into the holes provided for them in the **diagonal braces 3** and **5**.

To fix the keder rails, **groove bolts for keder rail** (Ref. No. 4206.003) are needed.



For the pre-defined variants of the video wall system, an inspection book can be ordered. See page 7.



Other lengths for the keder rails and further accessory parts can be found in our price list for Non-System Accessories.



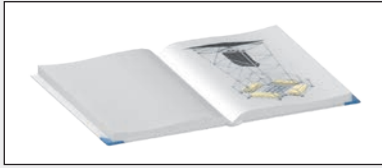
Pos.	Description	Dimension L / H x W [m]	Weight approx. [kg]	PU [pc.]	Ref. No.		EV100	EV104
1	Video wall standard, 0.50 m	0.50	4.5	100	5435.050			
2	Video wall U-ledger	1.00	6.2	50	5435.100			
		1.04	6.3	50	5435.104			
3	Video wall diagonal brace, square tube, short for video wall U-ledger 1.00 and 1.04 m	1.01	7.1	100	5435.030			
4	Video wall ledger, square tube	2.00	12.4	50	5435.201			
		2.07	12.8	50	5435.208			
5	Video wall diagonal brace, square tube, long for video wall ledger 2.00 and 2.07 m	1.93	12.3	50	5435.035			
6	Load beam	1.00	17.1	10	5435.010			
		1.04	17.6	10	5435.014			
		2.00	32.2	10	5435.020			
		2.07	33.3	10	5435.027			
7	Suspension point	0.10 x 0.10	2.1	200	5435.210			
8	Video wall PA projecting arm	2.00	23.8	20	5435.055			
9	Video Wall keder holder	0.08 x 0.17	1.3	100	5435.215			
10	Aluminium keder rail 2000	1.30	1.9	50	4201.130			
		2.25	3.3	50	4201.220			
11	Aluminium keder bow 2000 flexible, short	0.16	0.5	20	4205.004			
12	Video wall pin 16 x 121 mm		0.2	300	5435.310			
13	Securing pin D=4 mm		1.5	50	5905.002			
14	Video wall roof tarpaulin black	2.00 x 3.68	6.9	10	5435.320			
		2.07 x 3.68	7.2	10	5435.327			
	white	2.00 x 3.68	6.9	10	5435.321			
		2.07 x 3.68	7.2	10	5435.328			
15	Video wall gable tarpaulin	3.45 x 0.90	2.7	10	5435.330			
		3.45 x 0.90	2.7	10	5435.331			

WS = wrench size LC = load class PU = packaging unit = available ex works = delivery time on request = only available in this packaging unit = the approval process is not yet completed
 = Layher Individual possible = new in the catalogue

PA Tower PLUS

Towers for loudspeakers, camera equipment or lighting are essential at every sporting and cultural event.

Depending on requirements, more than 300 pre-configured variants in various heights and widths are possible.



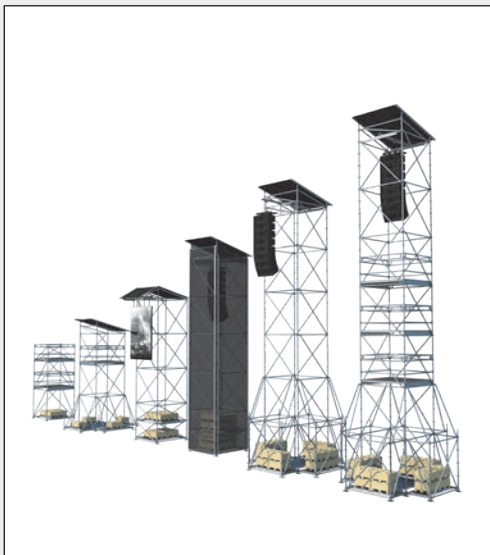
An extensive structural report is available for all these variants.

Two surface areas are available – 2.07 x 2.07 m and 4.14 x 4.14 m or 2.00 x 2.00 m and 4.00 x 4.00 m – plus heights from 4.7 to 14.7 metres.

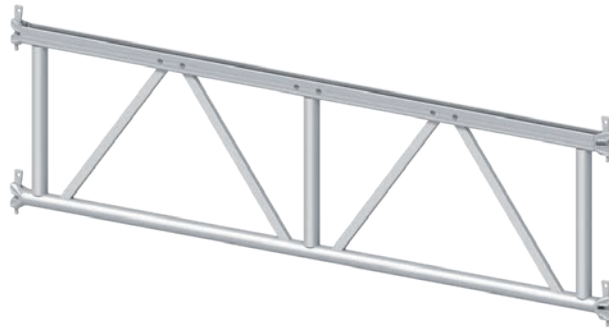
Roofs and enclosures using tarpaulins or the Protect System that quickly fits onto Allround Scaffolding cater to every requirement.

The stability of the PA-Tower PLUS was structurally verified in accordance with the current standard DIN EN 13814: with and without a wind strength limit up to Wind Zone 4 – both with and without covering.

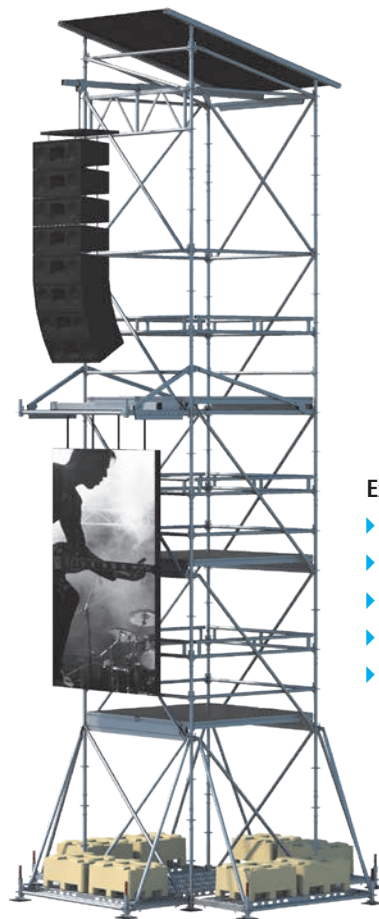
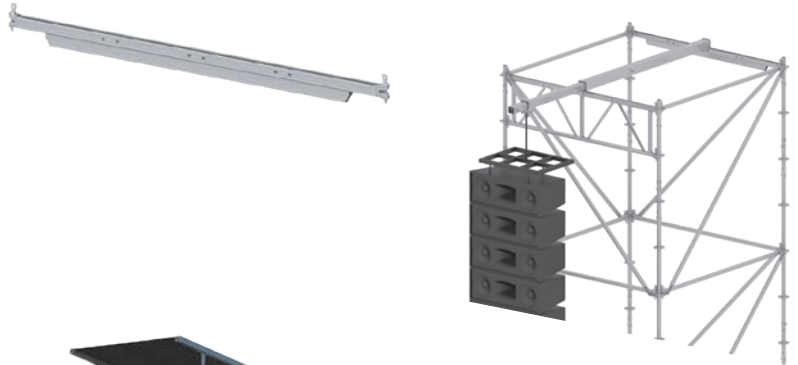
This means that time-consuming and cost-intensive structural analyses for individual towers are no longer needed, considerably reducing the project handling workload.



1



2



Example for use:

- ▶ Ground plan 4 x 4 m
- ▶ 3 work levels
- ▶ Video wall bracket
- ▶ Cantilever for loudspeakers
- ▶ Roofing

Pos.	Description	Dimension L / H x W [m]	Weight approx. [kg]	PU [pc.]	Ref. No.	EV100	EV104
1	PA Tower PLUS U-lattice beam	2,00	20,9	40	5436.200	☺	▶
		2,07	21,4	40	5436.207	☺	▶
2	PA Tower PLUS U-ledger	2,00	12,5	50	5435.200	☺	▶
		2,07	12,7	50	5435.207	☺	▶

WS = wrench size LC = load class PU = packaging unit ☺ = available ex works ☹ = delivery time on request ☒ = only available in this packaging unit ☻ = the approval process is not yet completed

☒ = Layher Individual possible ☒ = new in the catalogue

LAYHER STEEL TRUSS SYSTEMS

ENORMOUSLY BEARING, HUGE SPANS, FOR DIFFERENT SCOPES OF APPLICATION



Constructions, which are made to carry high loads and however must be easy and fast to assemble, need well-thought and strong components. Layher offers with the new steel truss the right tools for that challenge.

THE BENEFITS FOR YOU:

- ▶ Attractive outer dimensions.
- ▶ High load-bearing capacity.
- ▶ Large spans.
- ▶ Quick assembly thanks to well-known fork-connectors.
- ▶ Low bending.

Steel Truss System

Constructions, which are made to carry high loads and however must be easy and fast to assembly, need well-thought and strong components. Layher offers with the new steel truss the right tools for that challenge.

If needed, order the free available system statics for the truss systems. These contain load tables and all relevant data for your planning office.

Tower Truss

The Layher Tower truss is suitable for use as a vertical support for structures with horizontal Maxi-Truss beams.

Examples of use:

Ground support, advertising panel and cable bridge.

Maxi Truss

The Maxi Truss is a very strong transom type, which is especially usable for roofings as main transom, as ground support, for advertisement signs or cable bridges.

Nova Truss

The Layher Nova truss is suitable for use as a vertical support for structures with horizontal Super-Truss beams.

Examples of use:

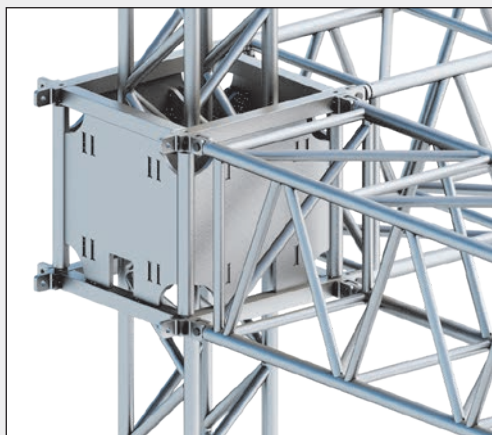
Ground support, advertising panel and cable bridge.

Super Truss

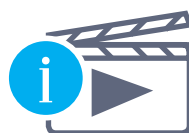
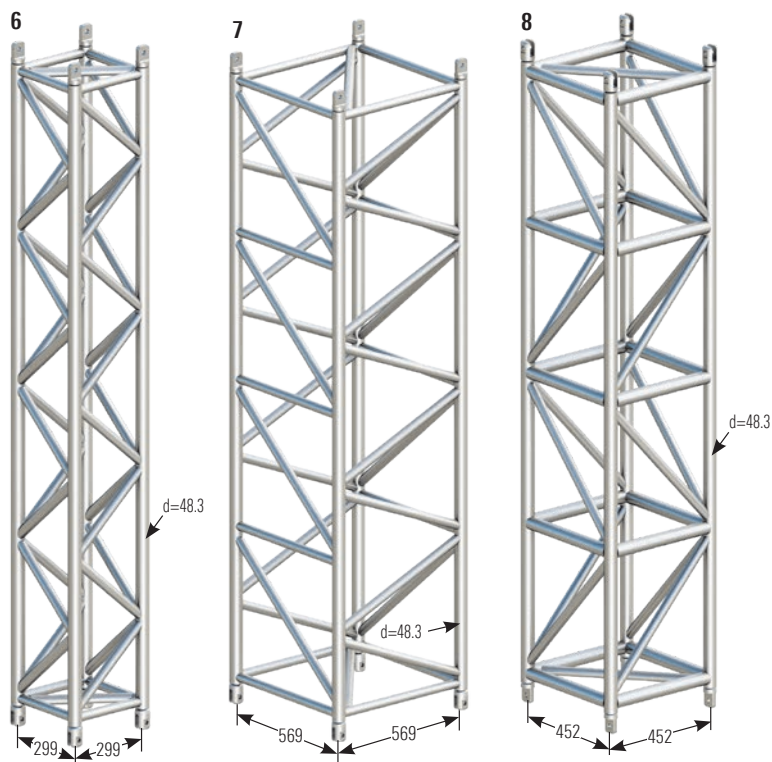
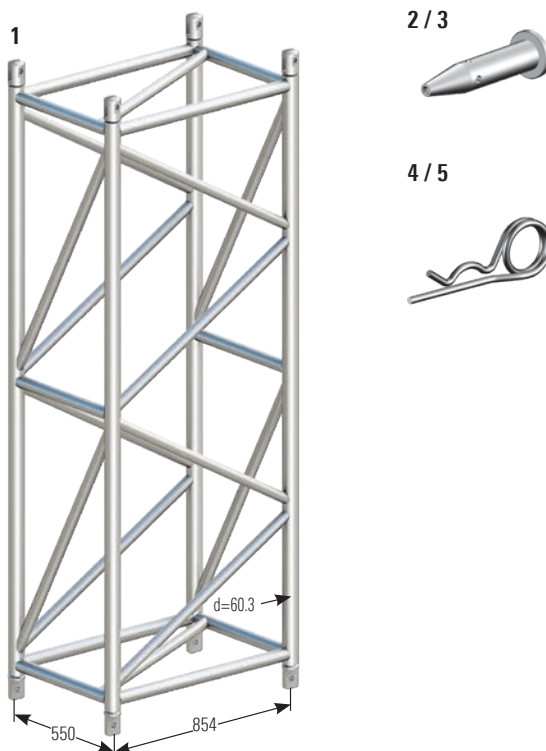
The Super Truss is a very strong transom type, which is usable for roofings as main transom, as ground support, for advertisement signs or cable bridges.

The steel truss elements are connected to one another using bolts 2 / 3 and safety clips 4 / 5. The bolts intended for this purpose must be ordered separately.

The steel truss elements will be produced individually according to your requirements. Do not hesitate to ask us! We are pleased to help you.



Corner elements and sleeve blocks on request.




MORE INFORMATION

Further information about load-bearing capacity can be found in the Layher Info Steel Truss

Pos.		Dimension L / H x W [m]	Weight approx. [kg]	PU [pc.]	Ref. No.
1	Super-Truss steel, hot-dip galvanised, axial dimensions 550 x 854 mm, usable for roofings as main transom, as ground support, for advertisement signs or cable bridges, use with bolt D=20 mm	2.40	149.6	2	5650.240
		3.00	186.2	2	5650.300
		4.00	237.4	2	5650.400
		5.00	289.8	2	5650.500
		5.50	323.1	2	5650.550
2	Bolt 15.8 x 80 mm		0.7	4	5550.003
3	Bolt 20 x 100 mm		1.3	4	5550.004
4	Securing pin D=2.8 mm		0.5	50	4905.002
5	Securing pin D=4 mm		1.5	50	5905.002

ON REQUEST

Pos.	Description	Dimensions L/H x W [m]	Weight approx. [kg]	Weight per metre approx. [kg]	Ref. No.
6	Tower Truss , steel, hot-dip galvanized, axial dimensions 299 x 299 mm Usable for roofings as vertical support for constructions of Maxi Truss, as ground support, advertisement signs or cable bridges, use with bolt 15.8 x 80	0.50	23.00	46.00	on request
		1.00	37.00	37.00	
		1.50	50.30	33.50	
		2.00	67.30	33.70	
		2.40	81.00	33.80	
		3.00	98.00	32.70	
		4.00	127.70	31.90	
		5.00	152.60	30.50	
7	Maxi Truss , steel, hot-dip galvanized, axial dimensions 569 x 569 mm Usable for roofings as main transom, as ground support, for advertisement signs or cable bridges, use with bolt 15.8 x 80	0.25	21.60	86.40	on request
		0.50	33.00	66.00	
		1.00	53.40	53.40	
		2.07	91.00	44.00	
		2.40	99.20	41.30	
		3.00	120.00	40.00	
		4.00	156.90	39.20	
		5.00	191.00	38.20	
8	Nova Truss , steel, hot-dip galvanized, axial dimensions 452 x 452 mm Usable for roofings as vertical support for constructions of Super Truss, as ground support, for advertisement signs or cable bridges, use with bolt 15.8 x 80	1.50	78.00	52.00	on request
		2.40	109.30	45.50	
		3.00	142.50	47.50	
		4.00	184.90	46.20	
		5.00	227.40	45.50	
		6.00	270.00	45.00	

WS = wrench size LC = load class PU = packaging unit  = available ex works  = delivery time on request  = only available in this packaging unit  = the approval process is not yet completed

 = Layher Individual possible  = new in the catalogue

Index

Adapter with rosette	25	FOH Tower	33
Adapter with spigot	25	FOH Tower	33
Allround wedge	25	FOH Tower	33
Aluminium frame for tip-up seats	25	FOH Tower	33
Aluminium keder bow 2000 flexible, short	37	FOH Tower	33
Aluminium keder rail 2000	35	FOH Tower	33
Aluminium keder rail 2000	37	Fork with tube connector	29
Aluminium keder rail 3000	35	FW Chord	27
Aluminium keder rail 9000	35	Grandstand roof holder for roof support	29
Assembly-Set for 20 bucket seats	25	Groove bolt for keder rail M12 x 40	27
Banding	17	Groove bolt for keder rail M12 x 40	35
Base beam	19	Guardrail for modular stairway Plus	17
Base collar	13	Guardrail post	23
Base lattice beam	19	Guardrail post for podium	17
Base plate	13	Guardrail post for stand	23
Base plate 60	13	Guardrail standard	23
Base plate type 1	19	Guardrail T12 with child protection	17
Base plate type 2	19	Gutter bracket K9000	29
Bearing with standard	27	Half-coupler	35
Bench	25	Hexagon bolt M12 x 140 mm	27
Bench adapter	25	Hexagon bolt M20 x 150 mm	27
Bench end	25	Hexagon bolt M30 x 200 mm	29
Bench, with holes	25	Hexagonal bolt M20 x 140 mm	27
Bolt 15.8 x 80 mm	29	Hinged attachment	35
Bolt 15.8 x 80 mm	41	Hinged pin	13
Bolt 20 x 100 mm	41	Intermediate step	25
Bolt 20 x 167 mm	27	Intermediate step for stands with tip-up seats	25
Bolt 20 x 66 mm	27	Keder rail 9000	27
Bolt M10 x 70 mm	23	Keder rail connector	27
Bridging system diagonal rod	29	Keder rail holder with wedge head	35
Castor for tarpaulin pulling K9000	29	Keder rail holder with half-coupler	35
Clamp black	15	LayPLAN CAD	6
Clamp yellow	15	Lens for seat	25
Concrete ballast element	29	Load beam	37
Corner guardrail T12	23	Lock for stand element	23
Diagonal brace LW, steel, 0.50 m bay height	13	Maxi Truss, steel, hot-dip galvanized, axial dimensions 569 x 569 mm	41
Diagonal brace LW, steel, 1.00 m bay height	13	Nova Truss, steel, hot-dip galvanized, axial dimensions 452 x 452 mm	41
Diagonal brace LW, steel, 1.50 m bay height	13	Novanta bucket seat	25
Diagonal brace LW, steel, 2.00 m bay height	13	Number plate	25
Double handrail T13	17	O-ledger LW	13
Event access deck T16	35	O-ledger LW	27
Event deck T16	15	O-ledger LW horizontal diagonal	27
Event transom	15	O-ledger LW, horizontal-diagonal. steel	13
FOH beam	35	PA Tower PLUS U-lattice beam	38
FOH entrance	33	PA Tower PLUS U-ledger	38
FOH projecting roof	33	Plastic corner	15
FOH projecting roof	33	Plastic underlay for base plate	13
FOH rope holder set	35	Plate nut	29
FOH Tower	33	Plug	25
FOH Tower	33	Repair kit for Event deck corner	15
FOH Tower	33	Ridge connector	27
FOH Tower	33	Ridge cover sheet	27
FOH Tower	33	Ridge horizontal diagonal brace	27

Ridge strut	27	Video wall gable tarpaulin	37
Ridge tube	27	Video Wall keder holder	37
Roof support 0.14 x 0.14 m	29	Video wall ledger, square tube	37
Rope fastener	35	Video wall PA projecting arm	37
Rope fastener, for roof stiffening	35	Video wall pin	37
Rosette adapter	27	Video wall roof tarpaulin	37
Rubber pad for base plate	13	Video wall standard, 0.50 m	37
Seat support with rosette	25	Video wall U-ledger	37
Securing pin D=2.8 mm	29	X-Event deck T16	15
Securing pin D=2.8 mm	41		
Securing pin D=4 mm	27		
Securing pin D=4 mm	37		
Securing pin D=4 mm	41		
Set for tarpaulin pulling K9000	29		
Side guardrail T12	23		
Single step ladder	35		
Special bolt	19		
Special bolt M12 x 60 mm	13		
Special bolt M12 x 60 mm	27		
Spigot	13		
Square half-coupler	15		
Stairway guardrail 750, with child protection	17		
Stand element	23		
Stand roof standard with FW system connector	27		
Standard 0.92 m with adapter	25		
Standard 1.18 m with adapter	25		
Standard for modular stairway Plus	17		
Standard lock	13		
Standard LW	13		
Static calculation book for FOH Tower	7		
Static calculation book for PA Tower PLUS	7		
Static calculation book for video wall system	7		
Steel deck support	23		
Steel lift-off preventer	23		
Steel lift-off preventer T19	23		
Steel truss 0.40 x 0.80 m	29		
Stringer for modular stairway Plus	17		
Super-Truss	41		
Support for FW connection	27		
Suspension point	37		
Tarpaulin tensioner K9000	29		
Tension clasp	15		
Tensioning tube	29		
Tip-up seat, black	25		
Tower Truss, steel, hot-dip galvanized, axial dimensions 299 x 299 mm	41		
Transom support	15		
Truss-Transom	19		
Tube with 4 wedge heads	23		
U-ledger reinforced LW T14	13		
Universal U-Lift-off preventer	17		
U-Stairway stringer 750 with half-coupler	17		
U-steel deck LW, 0.32 m wide	13		
Video wall diagonal brace, square tube, long	37		
Video wall diagonal brace, square tube, short	37		



Layher is your dependable partner with more than 75 years of experience. "Made by Layher" always means "Made in Germany" too – and that goes for the entire product range. Superb quality – and all from one source.

Proximity to the customer is a central factor behind Layher's success – geographically speaking too. Wherever our customers need us, we will be there – with our advice, assistance and solutions.

-  **SpeedyScaf**
-  **Allround Scaffolding**
-  **System-free Accessories**
-  **Protective Systems**
-  **Shoring**
-  **Event Systems**
-  **Rolling Towers**
-  **Ladders**
-  **Software**



Headquarters in Eibensbach



Plant 2 in Gueglingen



Plant 3 in Clebronn

Layher®



More Possibilities. The Scaffolding System.

Wilhelm Layher GmbH & Co KG
Scaffolding Grandstands Ladders

Ochsenbacher Strasse 56
74363 Gueglingen-Eibensbach
Germany

Post Box 40
74361 Gueglingen-Eibensbach
Germany
Telephone +49 (0) 71 35 70-0
Telefax +49 (0) 71 35 70-2 65
E-mail export@layher.com
www.layher.com

